



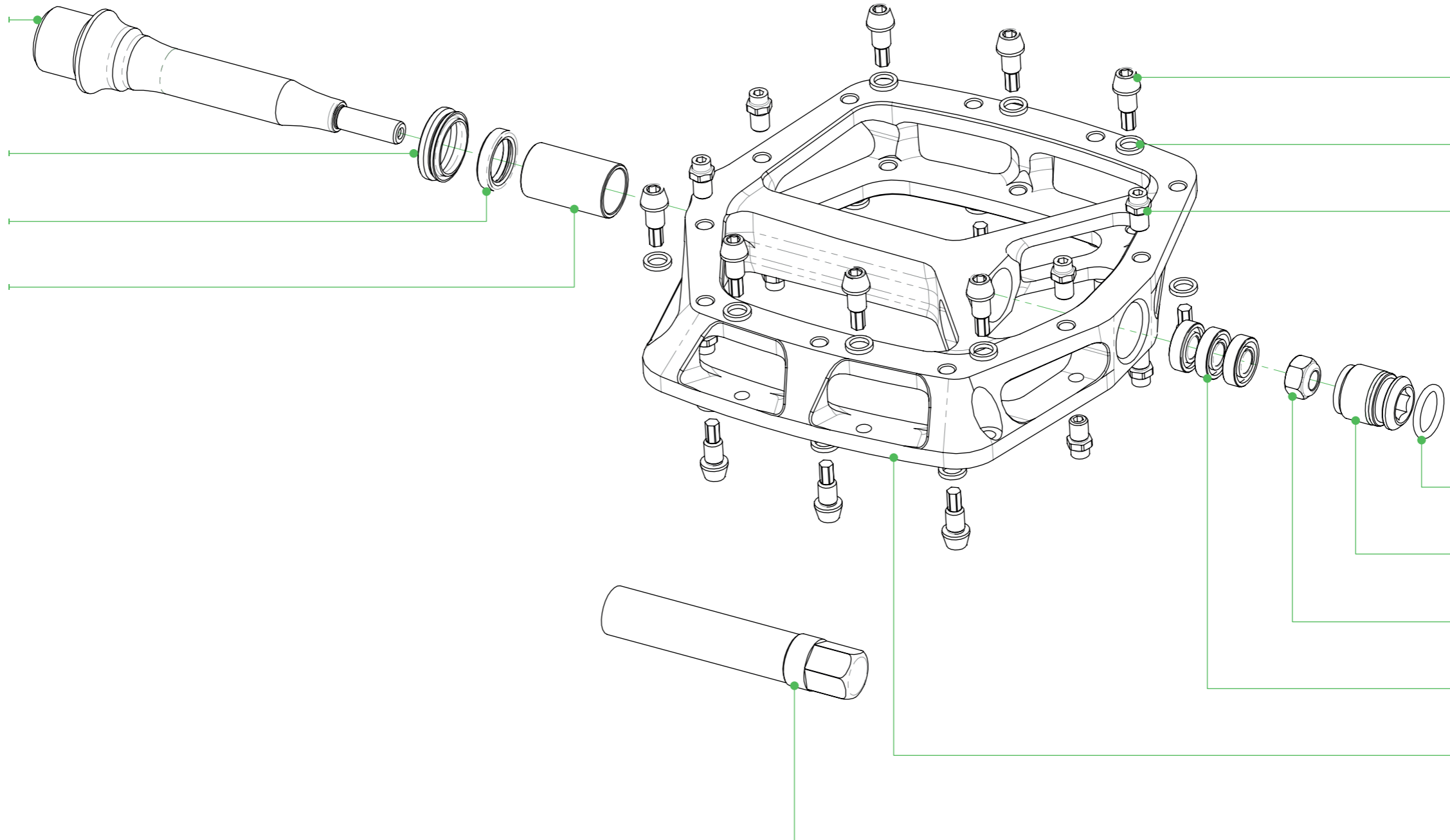
F22 PEDAL_ASSEMBLY

Pedal Axle
HPD003-8 (RH)
HPD003-9 (LH)

Face Lip Seal
PDSP007

Shaft Double Lip Seal
HPD003-7

Plain Bush
PDSP004



Hex Pedal Pin x14
HPD003-4

1mm Pin Spacer x14
HPD001-25

M4 Pedal Pin x8
HPD001-19

O'Ring Ø9x1.5
HBSP290

End Nut
PDSP006

M5 Locknut
HBSP19

Bearings 5x11x3 (x3)
PDSP005

F22 Pedal Body
HPD003-22R
HPD003-22L

Service Tool
HTT186
{Sold Separately}