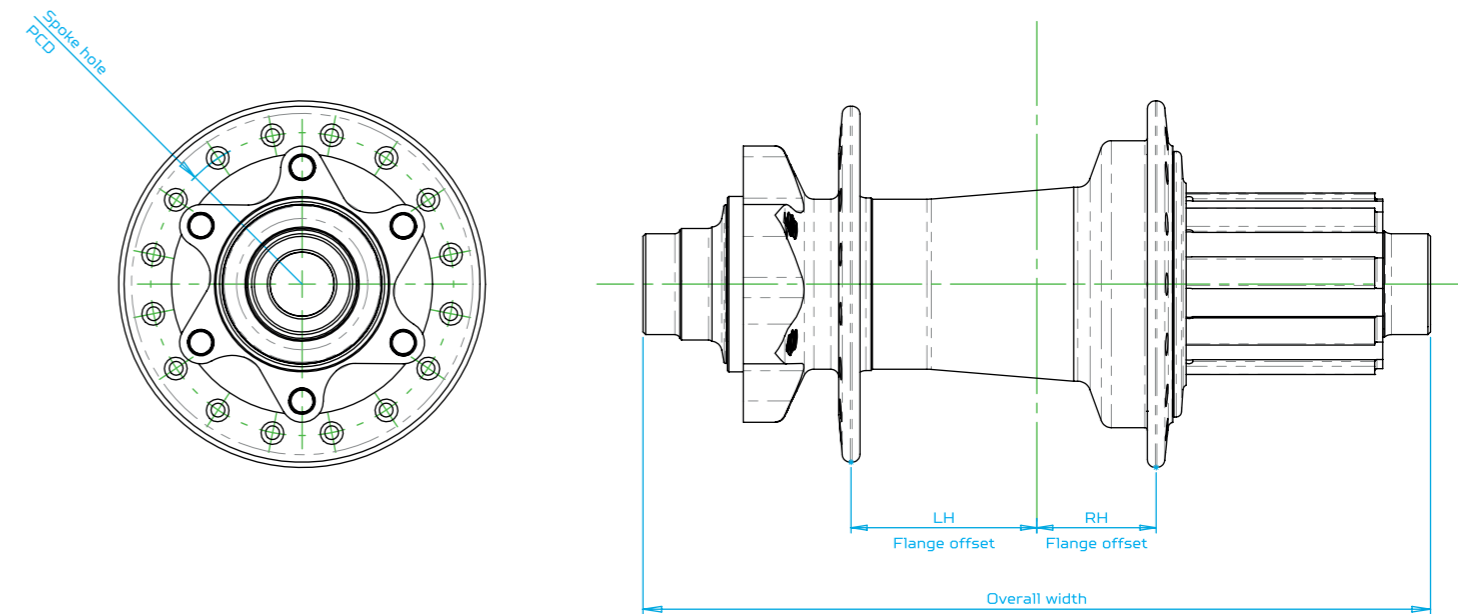
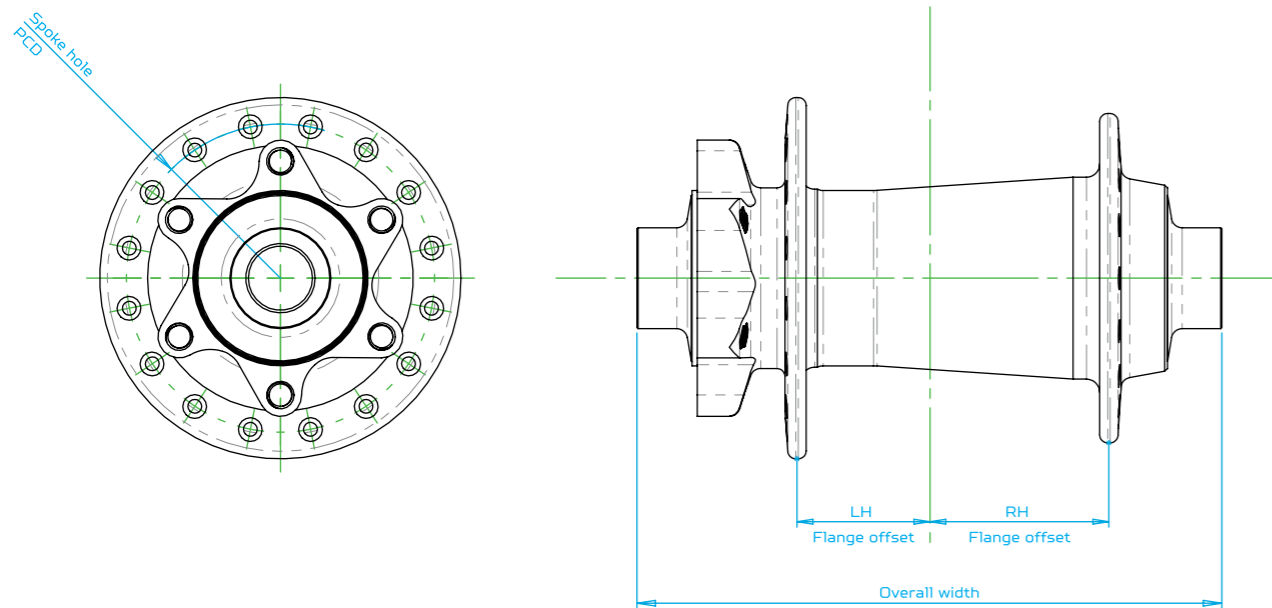


PRO5

| | | |
|-----|-------------------------|--|
| 003 | HUB DIMENSIONS | SPOKE HOLE PCD AND FLANGE OFFSET TABLE |
| 004 | FRONT HUB ASSEMBLIES | STANDARD_100mm / BOOST_110mm / 100mm_CENTRE_LOCK / 110mm_CENTRE_LOCK |
| 008 | REAR HUB ASSEMBLIES | 135mm / 148mm / 150mm / 157mm / 135mm_CENTRE_LOCK / 148_CENTRE_LOCK / E-BIKE_148 / SINGLE_SPEED/TRIALS |
| 016 | FREEHUB ASSEMBLIES | HG_108 / E-BIKE_HG_54 / MICRO_SPLINE_108 / E-BIKE_MICROSPLINE_54 / XD/XDR_108 / E-BIKE_XD_54 |
| 023 | HUB RANGE | Explore our complete range of hubs. |
| 025 | HUB CONVERSIONS | Use this table to find your hub and the available conversion kits. |



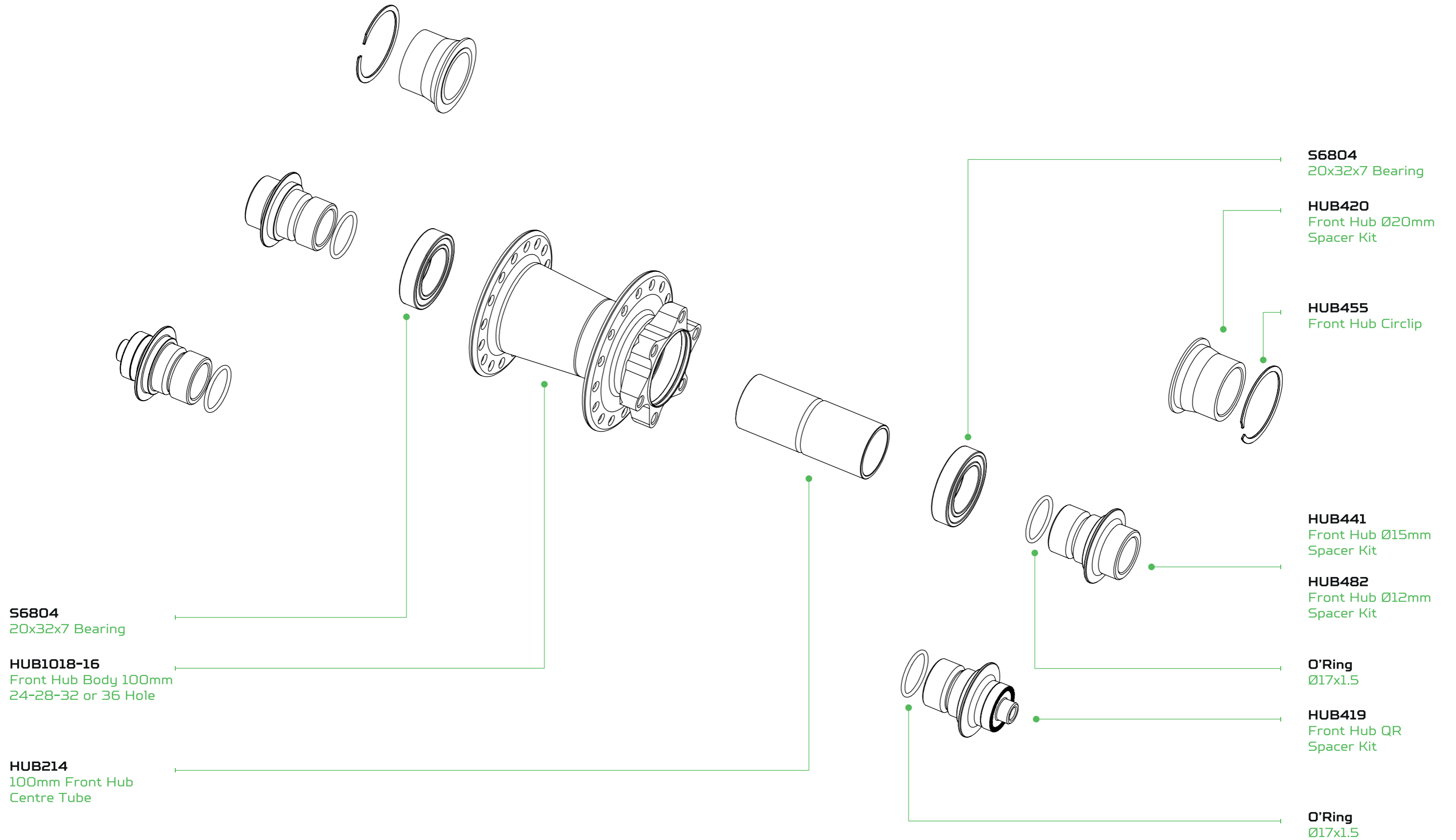
| FRONT | Hub Model | Spoke Hole PCD | | Flange Offset | |
|-------|-----------------------|----------------|----------|---------------|----------|
| | | LHS (NDS) | RHS (DS) | LHS (NDS) | RHS (DS) |
| | PRO5 Front 100 6 Bolt | 58 | 52 | 20 | 34 |
| | PRO5 Front 110 6 Bolt | 58 | 52 | 25 | 34 |
| | PRO5 Front 100 CL | 43 | 43 | 22 | 33 |
| | PRO5 Front 110 CL | 43 | 43 | 27 | 35.6 |
| | PRO5 Front 100 CL SP | 46 | 46 | 21 | 33 |
| | PRO5 Front 110 CL SP | 46 | 46 | 26 | 33 |

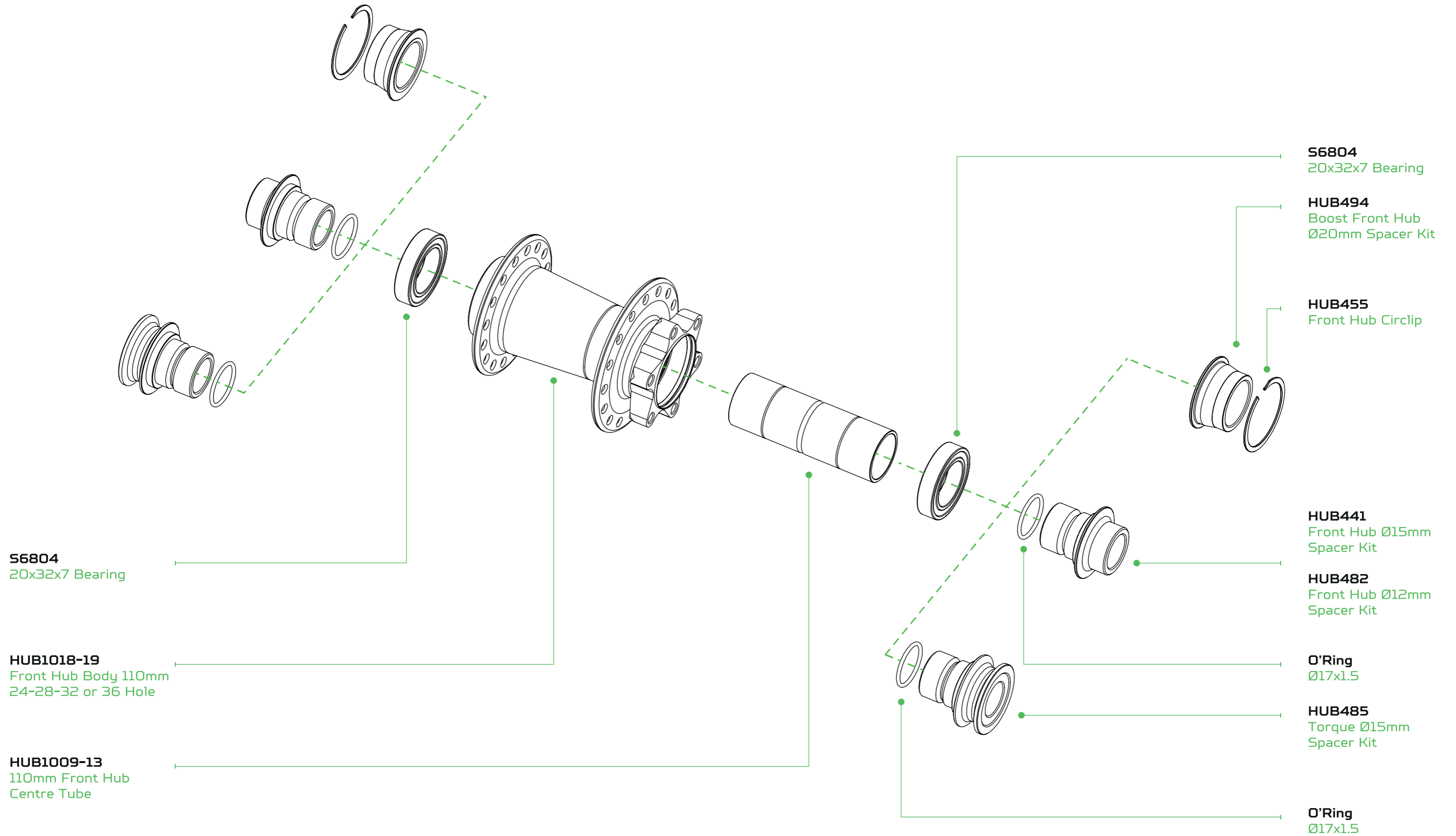
| REAR | Hub Model | Spoke Hole PCD | | Flange Offset | |
|------|-------------------------|----------------|----------|---------------|----------|
| | | LHS (NDS) | RHS (DS) | LHS (NDS) | RHS (DS) |
| | PRO5 Rear 135 6 Bolt | 57 | 59 | 32 | 19.6 |
| | PRO5 Rear 148 6 Bolt | 57 | 59 | 35 | 22.6 |
| | PRO5 Rear 150 6 Bolt | 57 | 59 | 28 | 26.8 |
| | PRO5 Rear 157 SB 6 Bolt | 57 | 59 | 39.6 | 27 |
| | PRO5 Rear SS T 6 Bolt | 57 | 59 | 32 | 30.6 |
| | PRO5 Rear 135 CL | 51 | 59 | 32 | 19.6 |
| | PRO5 Rear 148 CL | 51 | 59 | 35 | 22.6 |
| | PRO5 Rear 135 CL SP | 46 | 61 | 31.5 | 17.5 |
| | PRO5 Rear 148 CL SP | 46 | 61 | 34.5 | 21 |

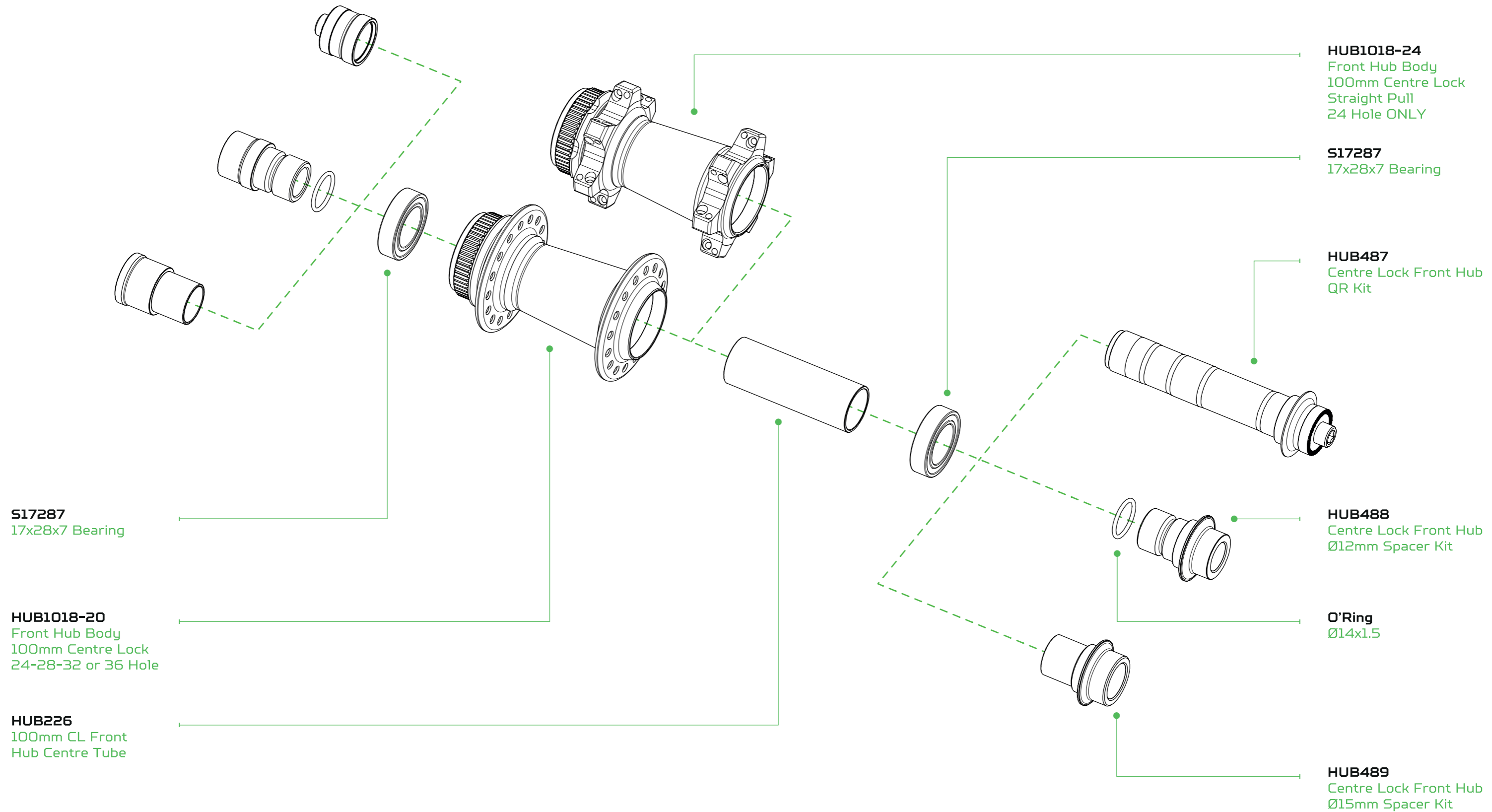


PRO5 FRONT HUB ASSEMBLY STANDARD_100mm

PRO5





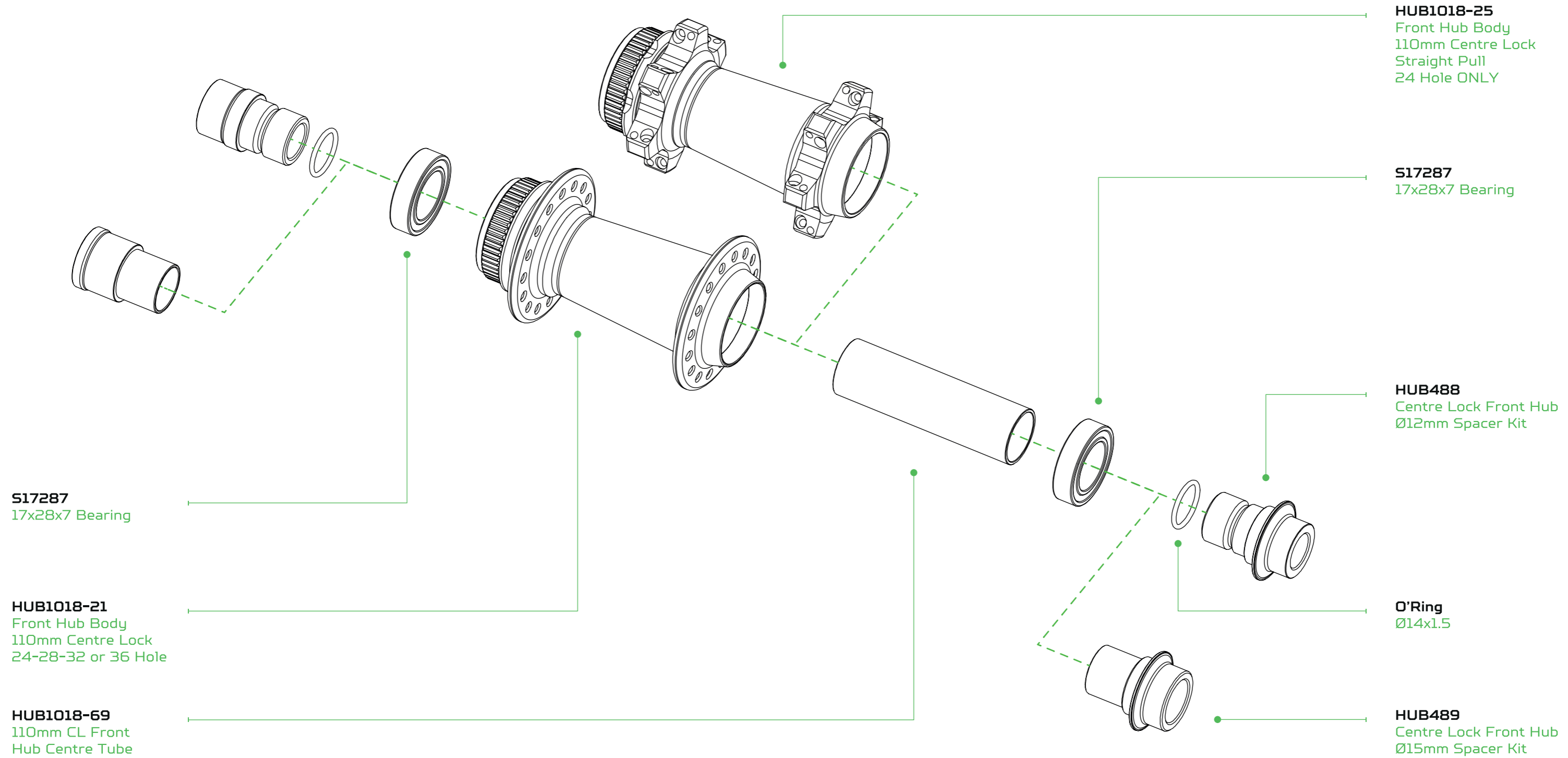




PRO5 FRONT HUB ASSEMBLY

110mm_CENTRE_LOCK

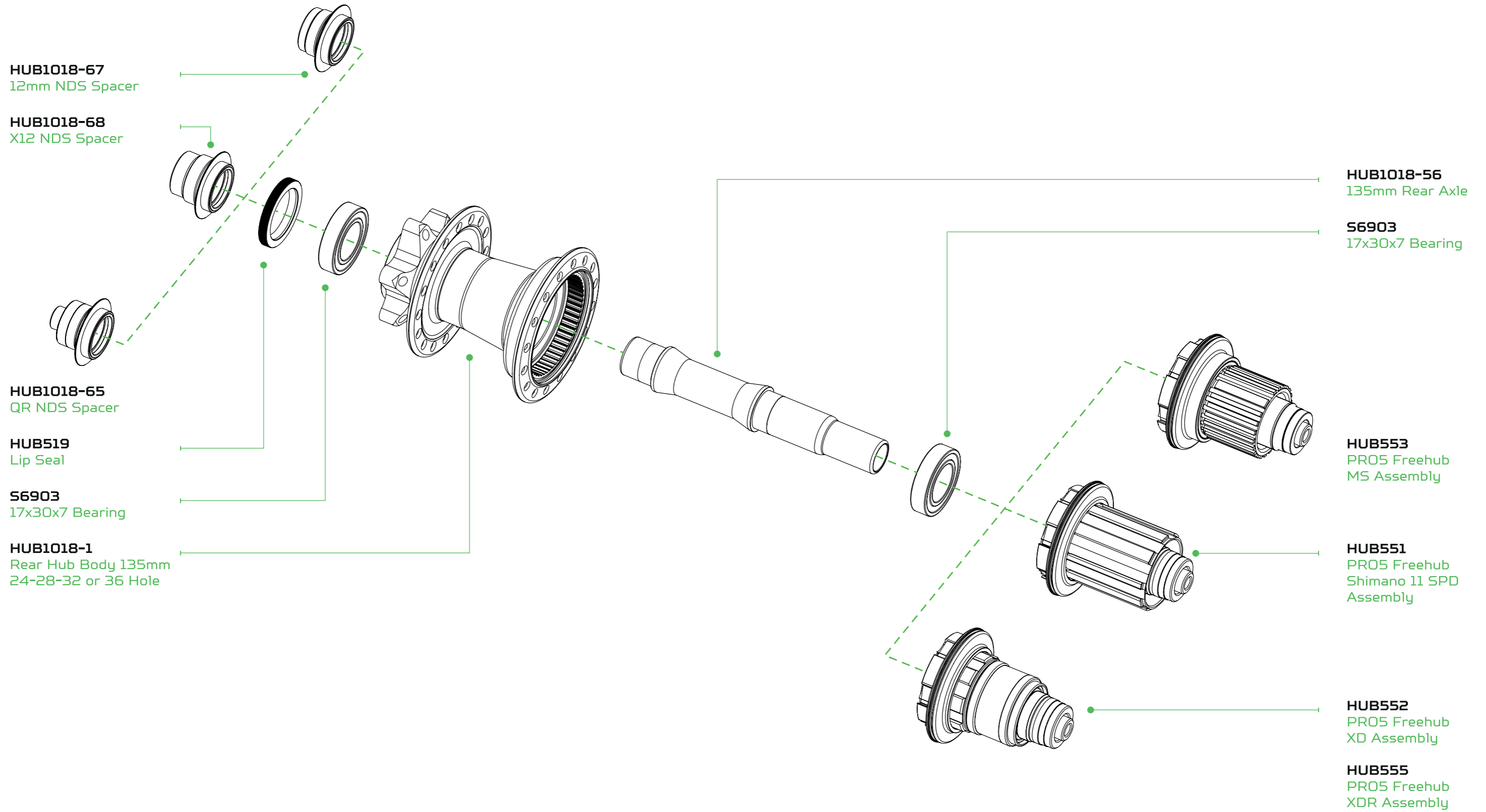
PRO5





PRO5 REAR HUB ASSEMBLY 135mm

PRO5

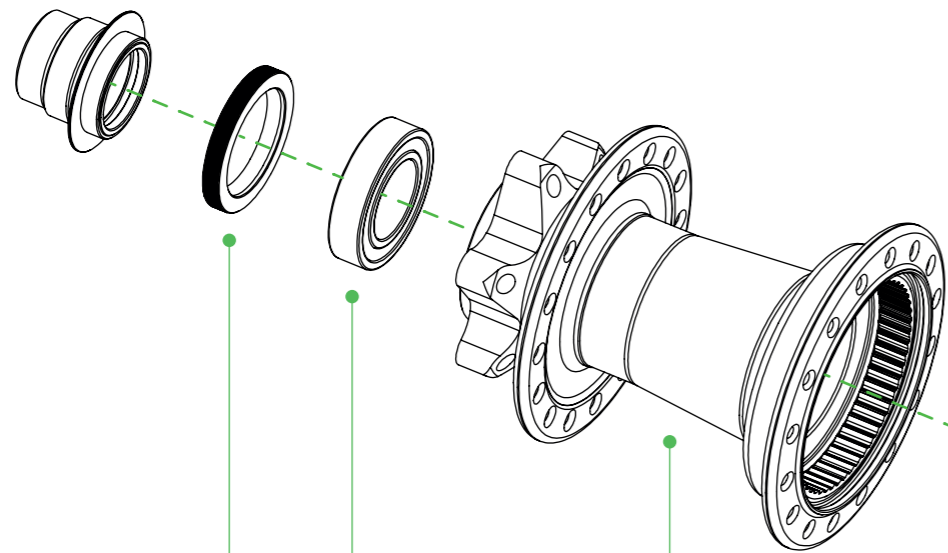




PRO5 REAR HUB ASSEMBLY 148mm

PRO5

HUB1018-68
X12 NDS Spacer



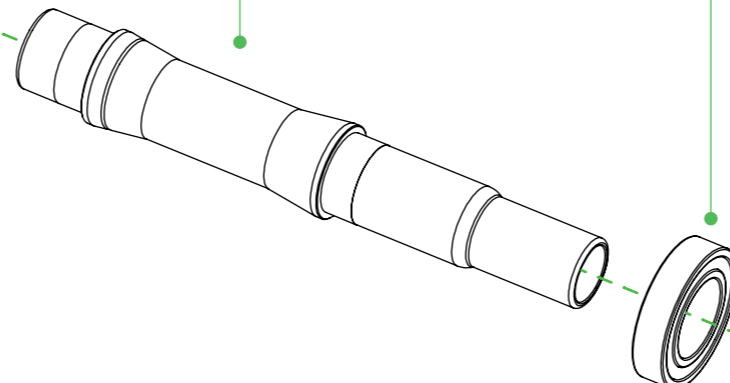
HUB519
Lip Seal

S6903
17x30x7 Bearing

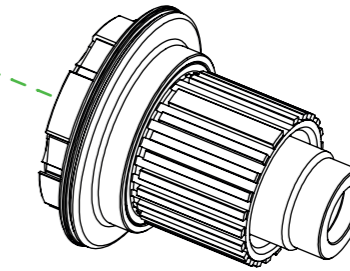
HUB1018-2
Rear Hub Body 148mm
24-28-32 or 32 Hole

HUB1018-58
148mm Rear Axle

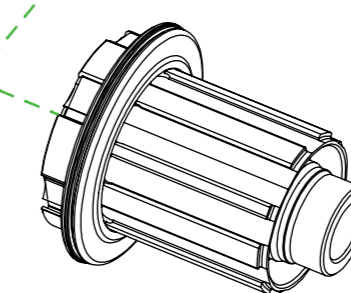
S6903
17x30x7 Bearing



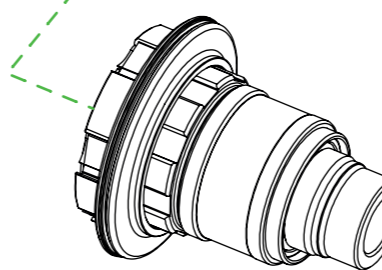
HUB553
PRO5 Freehub
MS Assembly



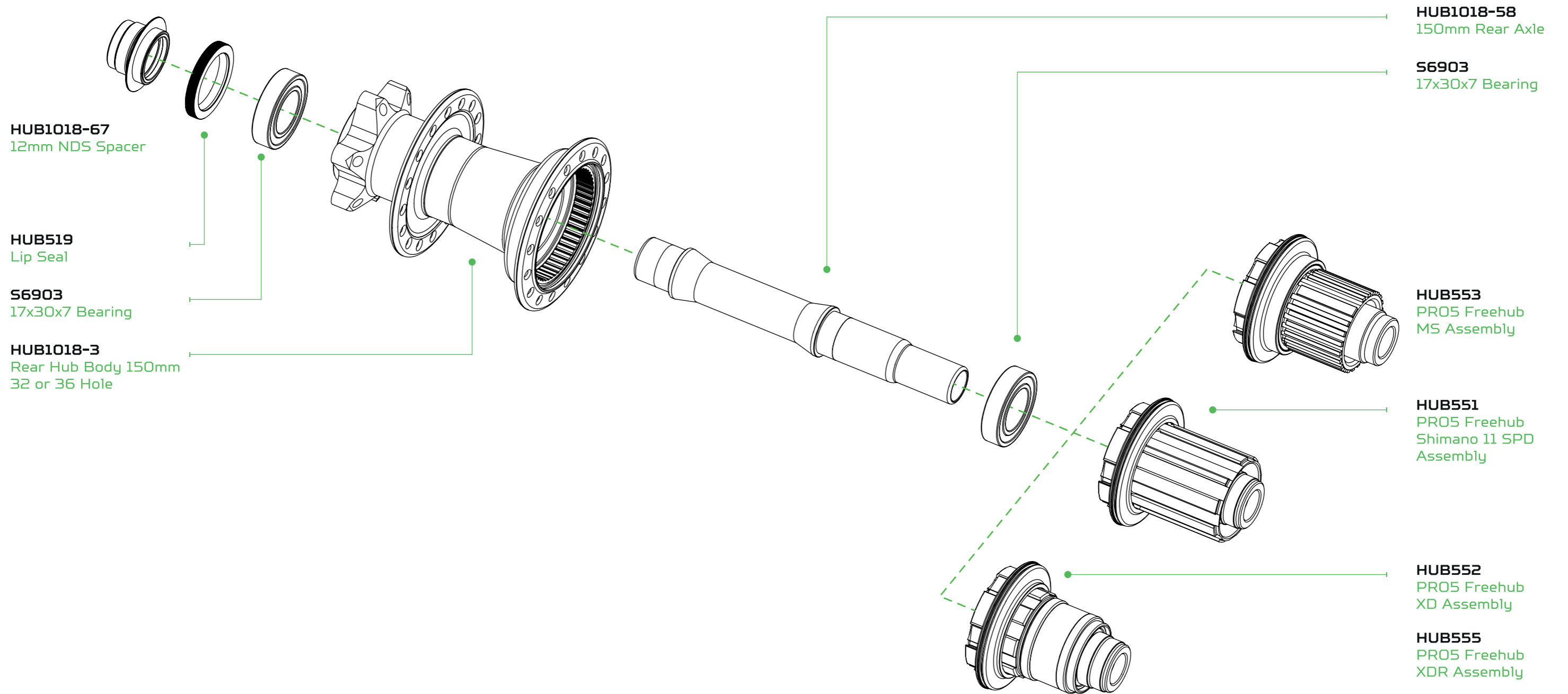
HUB551
PRO5 Freehub
Shimano 11 SPD
Assembly



HUB552
PRO5 Freehub
XD Assembly



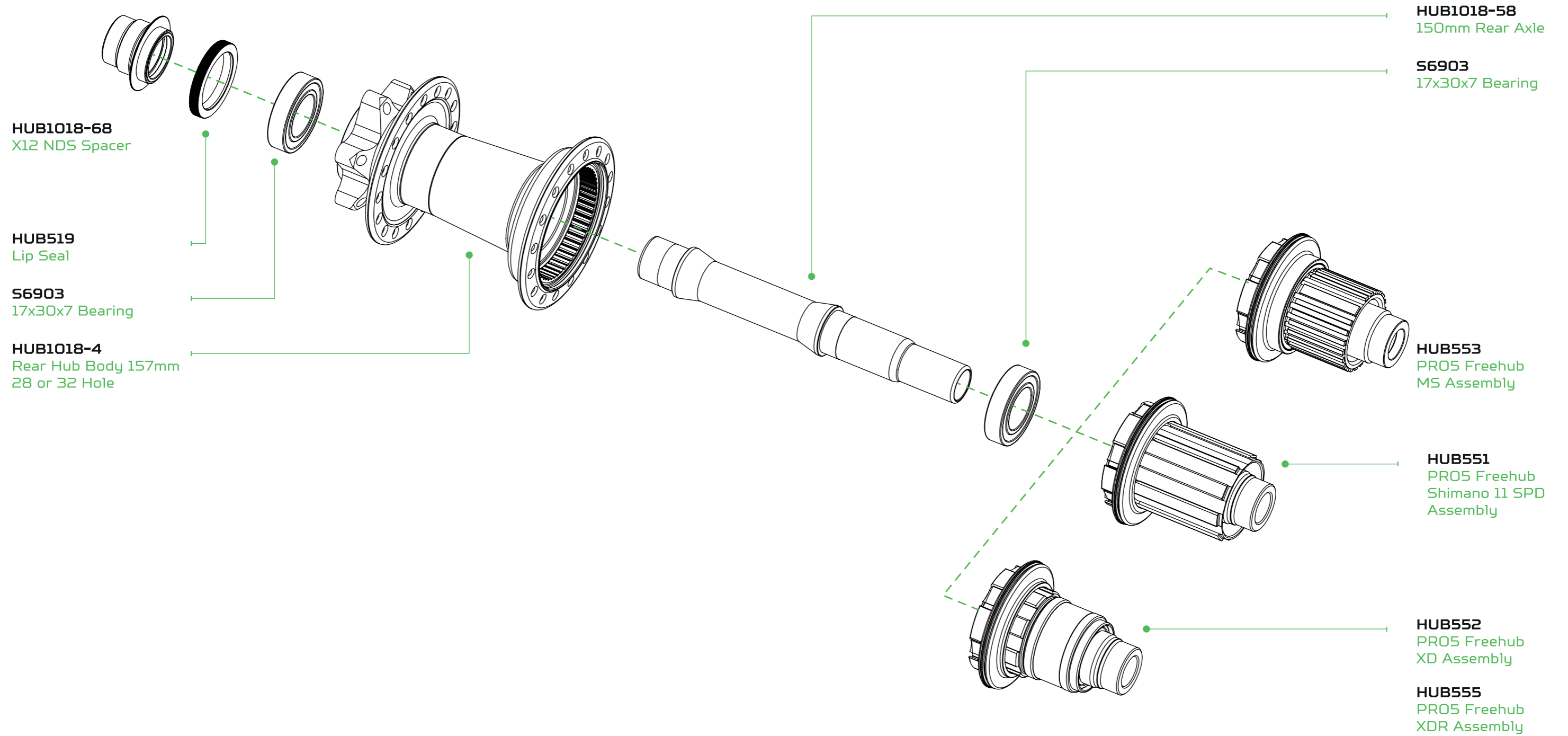
HUB555
PRO5 Freehub
XDR Assembly





PRO5 REAR HUB ASSEMBLY 157mm

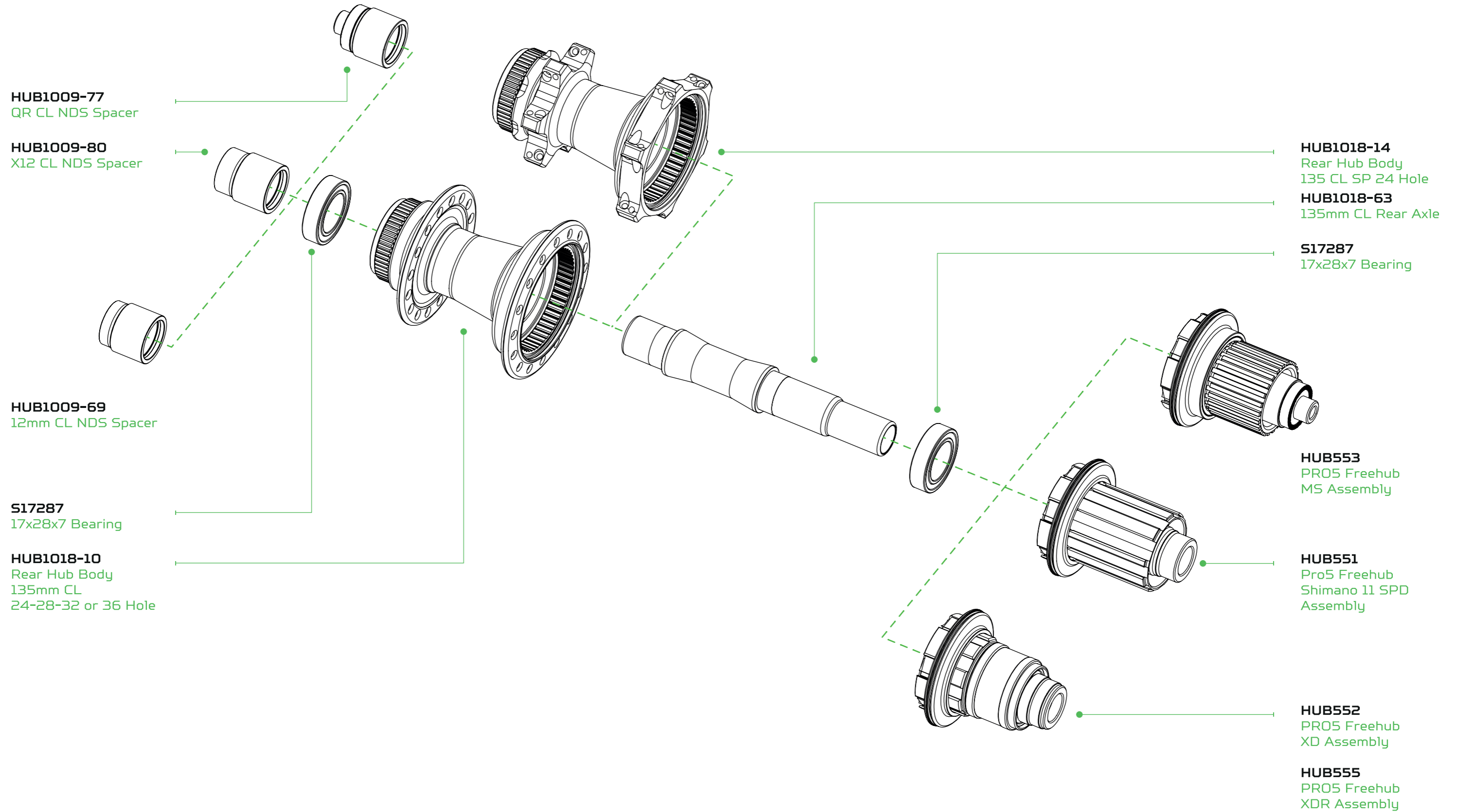
PRO5

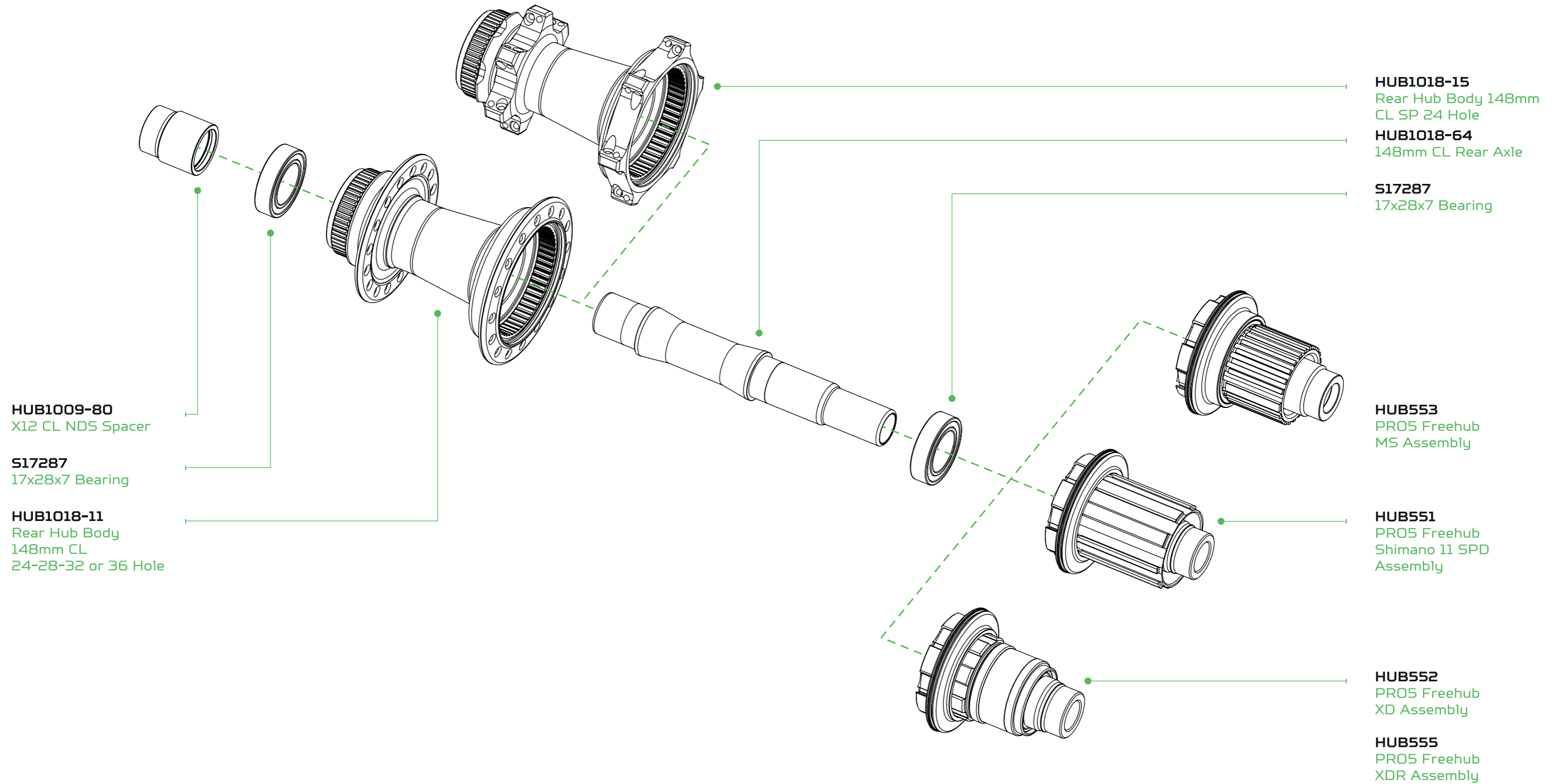




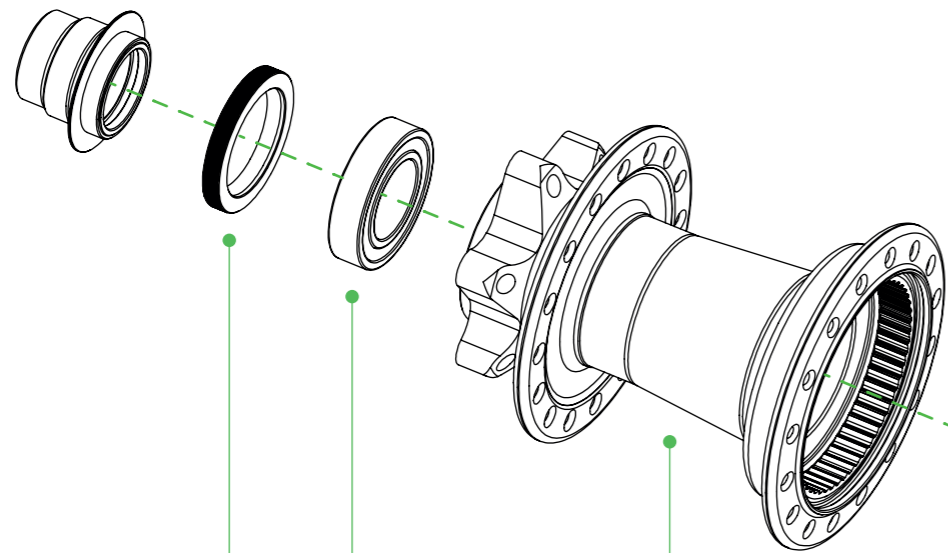
PRO5 REAR HUB ASSEMBLY 135mm_CENTRE_LOCK

PRO5





HUB1018-68
X12 NDS Spacer



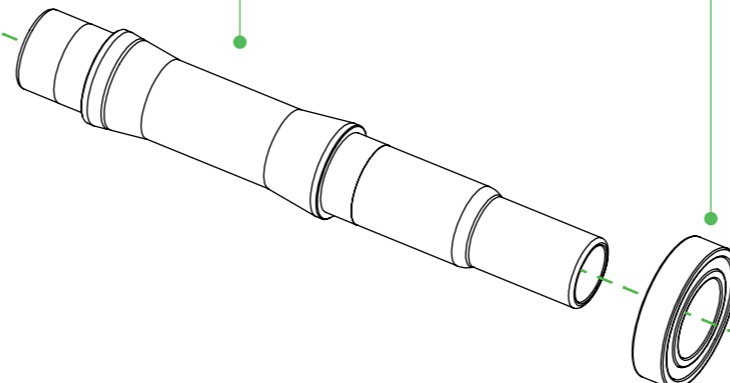
HUB519
Lip Seal

S6903
17x30x7 Bearing

HUB1018-2-32E
Rear Hub Body 148mm
32 Hole ONLY

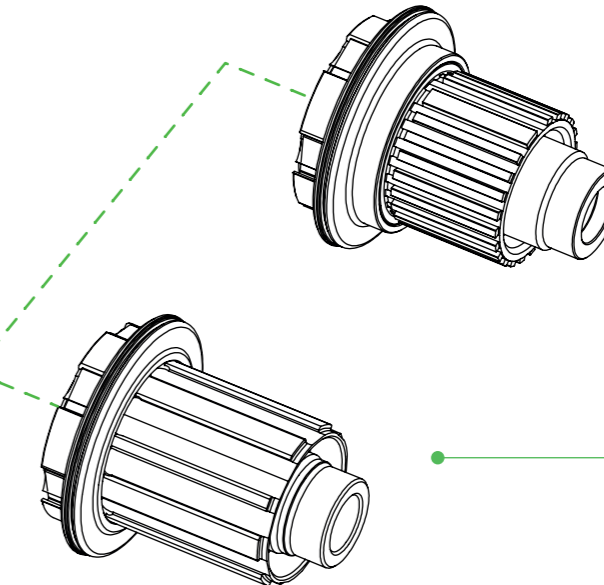
HUB1018-58
148mm Rear Axle

S6903
17x30x7 Bearing

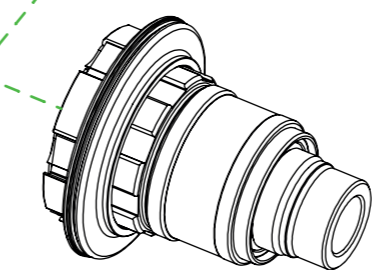


HUB558
PRO5 Steel Freehub
MS Assembly

HUB556
PRO5 Steel Freehub
Shimano 11 SPD
Assembly



HUB557
PRO5 Steel Freehub
XD Assembly





PRO5 REAR HUB ASSEMBLY SINGLE SPEED/TRIALS

PRO5

HUB1018-65
QR NDS Spacer

HUB1018-68
X12 NDS Spacer

HUB1018-67
12mm NDS Spacer

HUB459
10mm NDS Spacer

HUB439
10mm Serrated
Washer

M1040SS
M10 Cap Head

HUB519
Lip Seal

S6903
17x30x7 Bearing

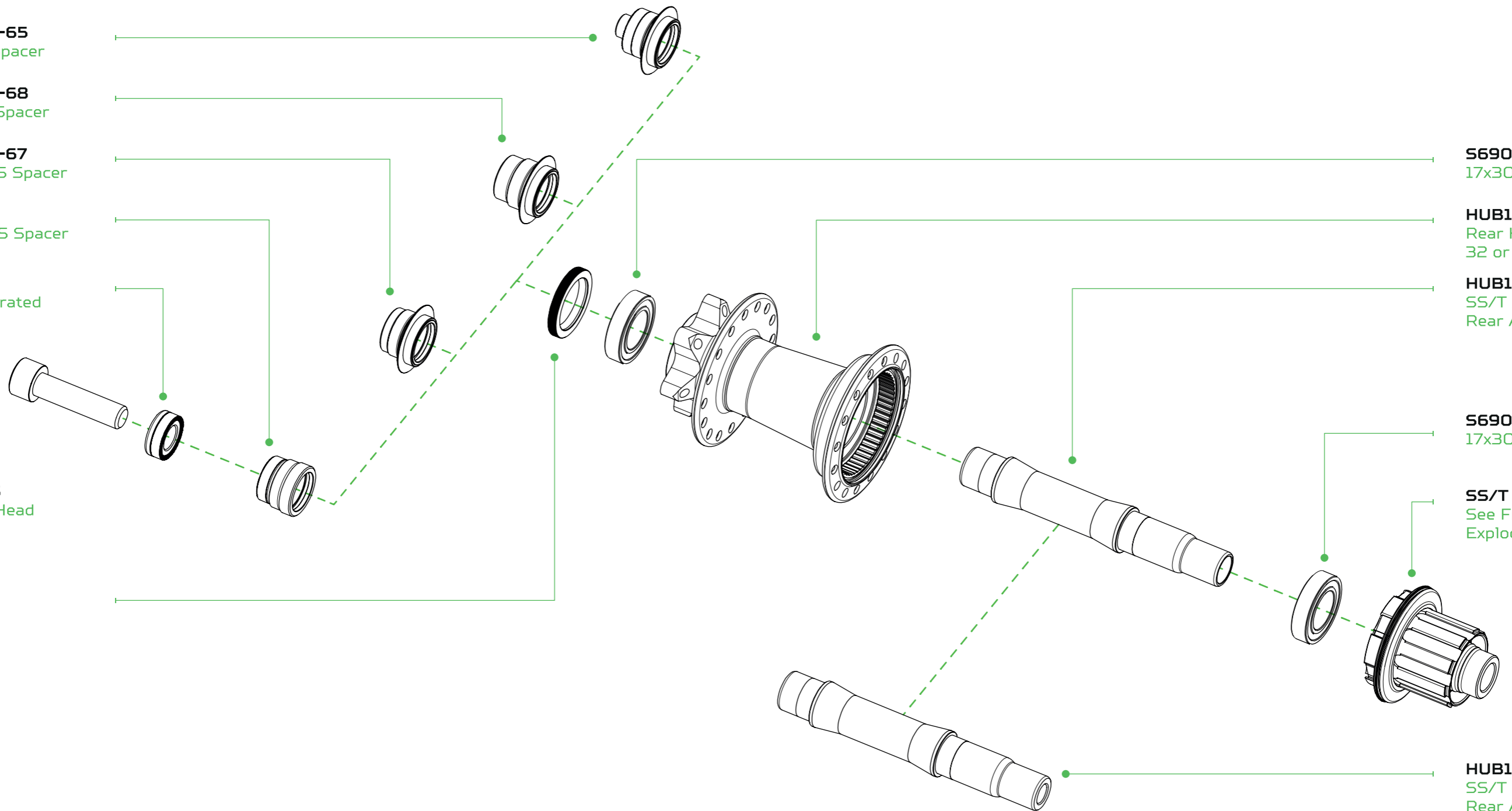
HUB1018-7
Rear Hub Body SS/T
32 or 36H

HUB1018-62
SS/T Ø12mm
Rear Axle

S6903
17x30x7 Bearing

SS/T Freehub
See Freehub
Exploded View

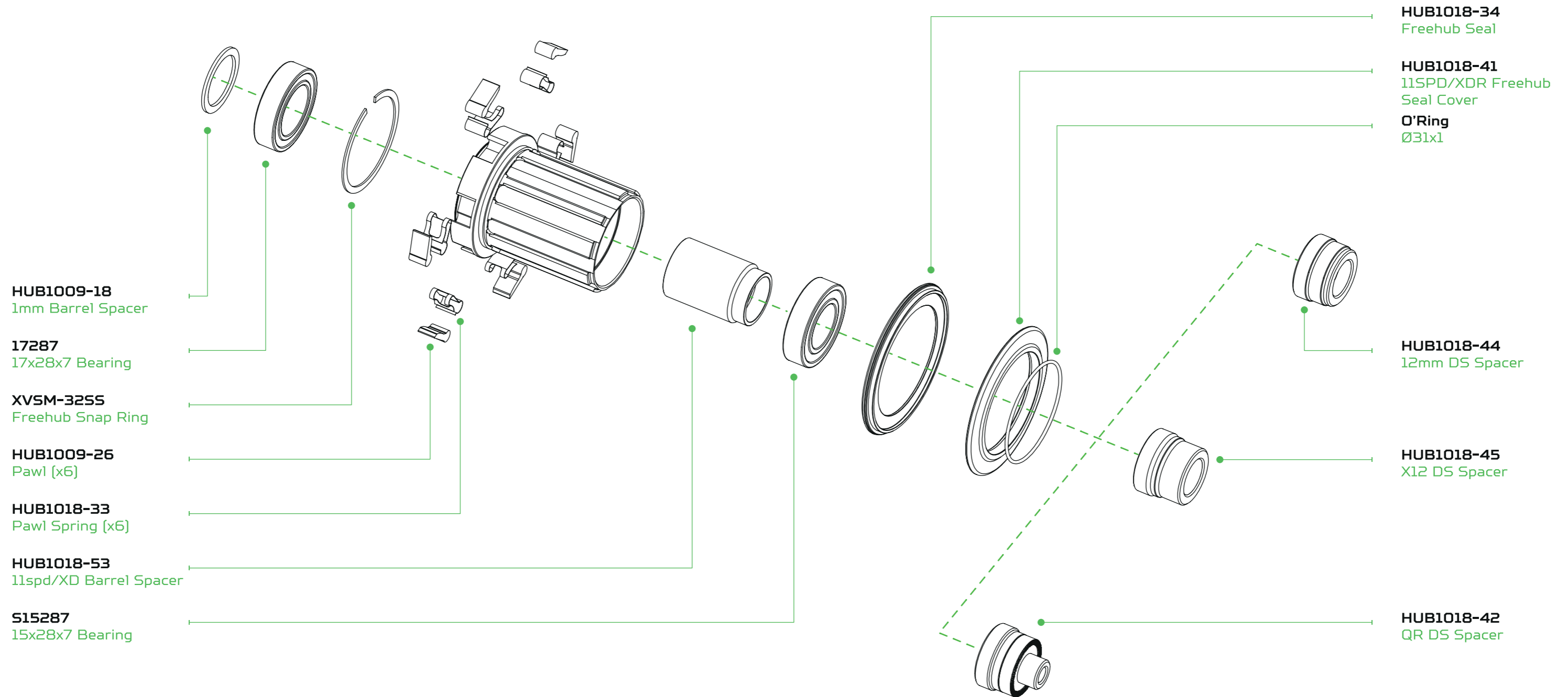
HUB1018-61
SS/T M10
Rear Axle



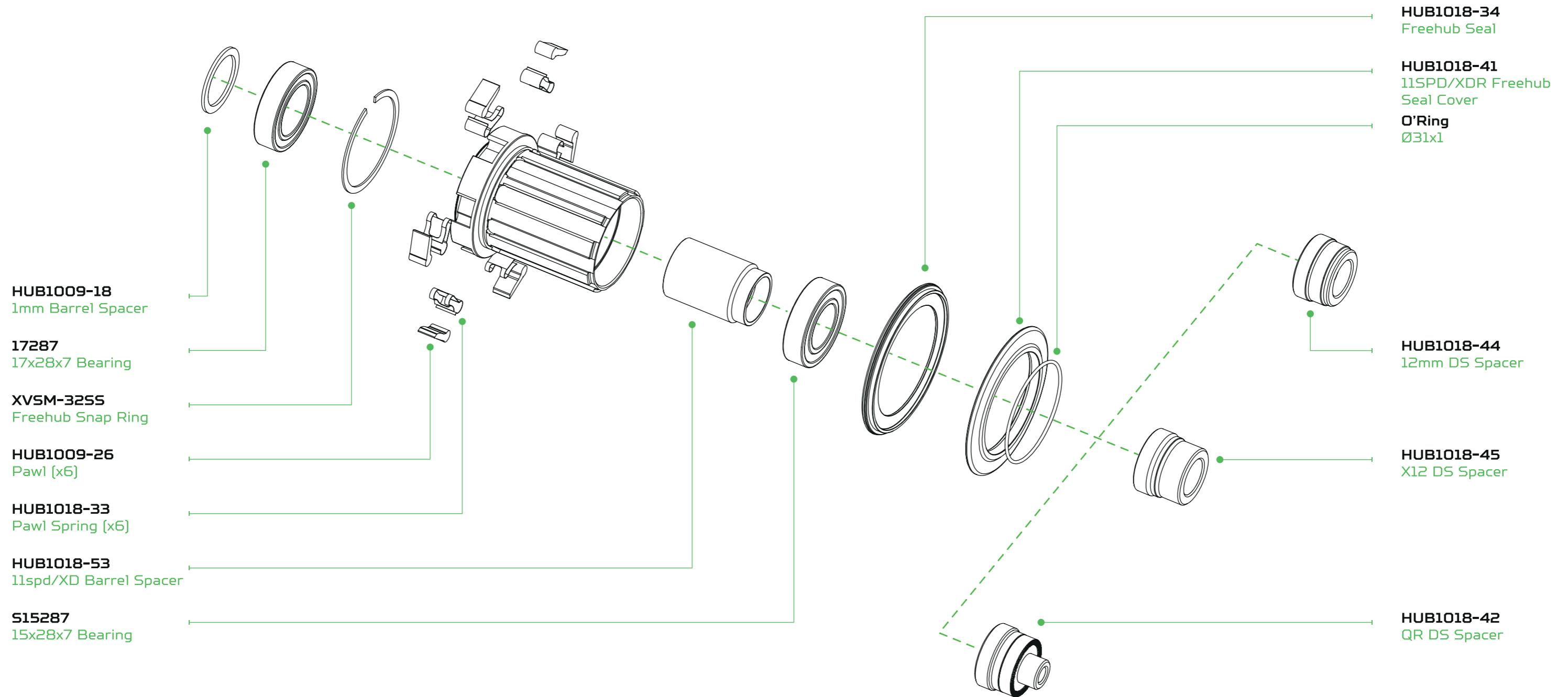


PRO5 FREEHUB ASSEMBLY HG_108

PRO5



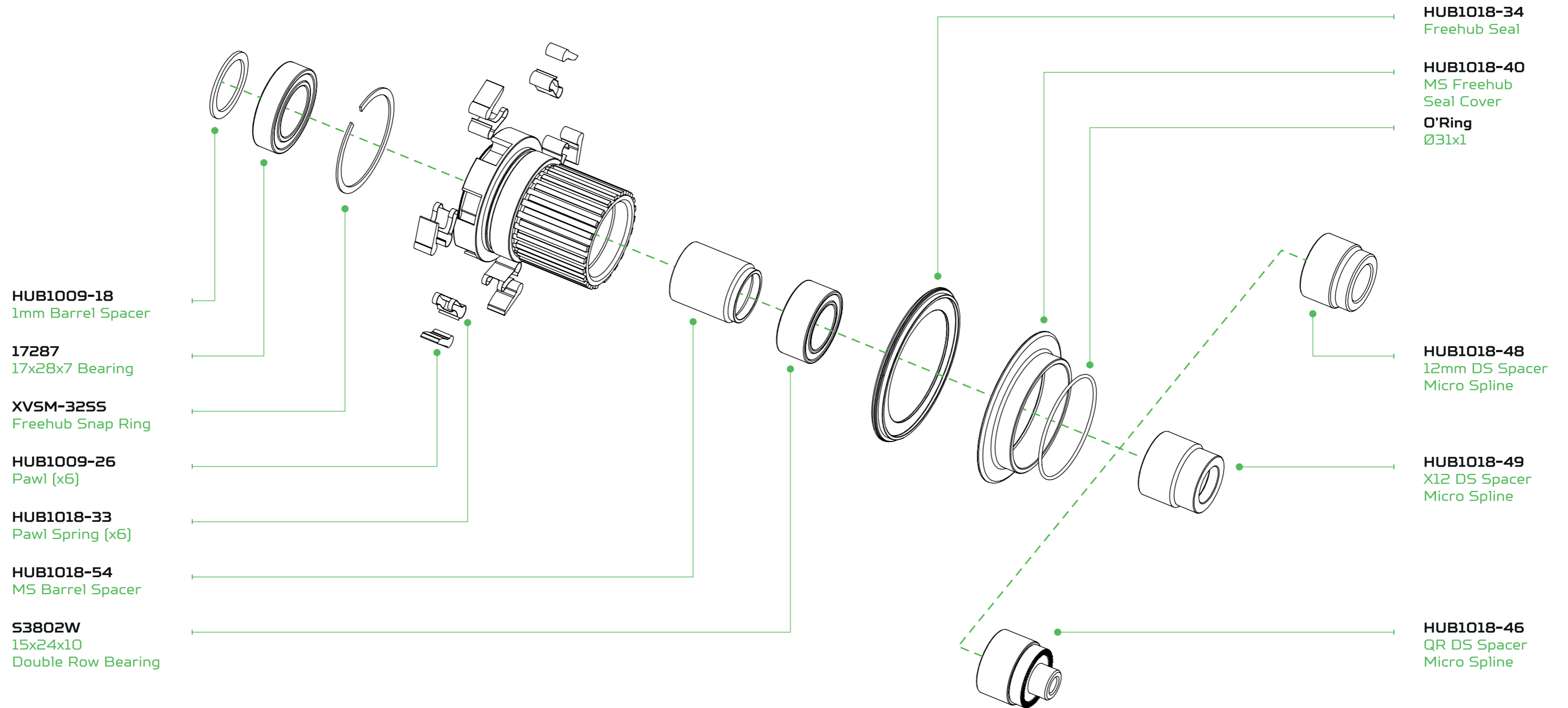
REF: HUB551



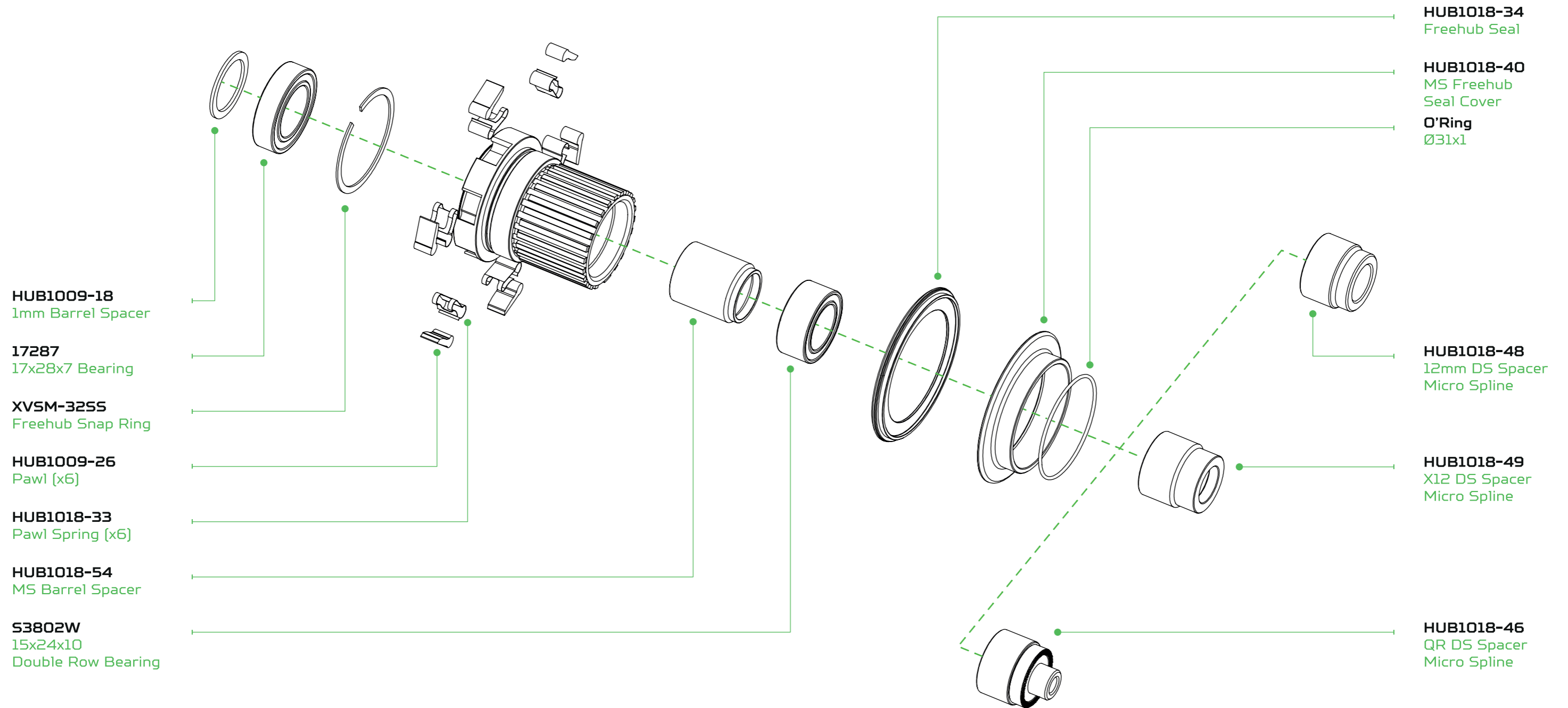


PRO5 FREEHUB ASSEMBLY MICRO_SPLINE_108

PRO5



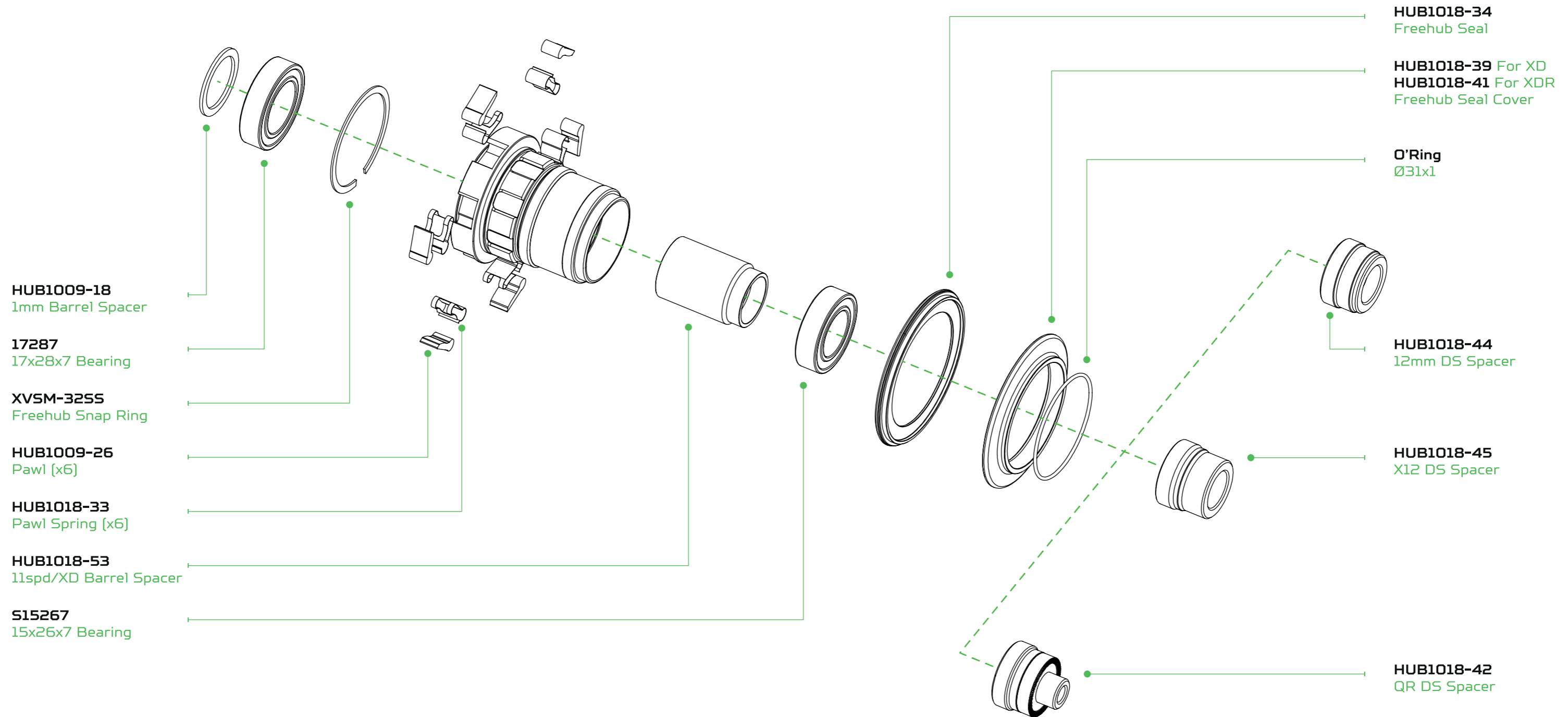
REF: HUB553



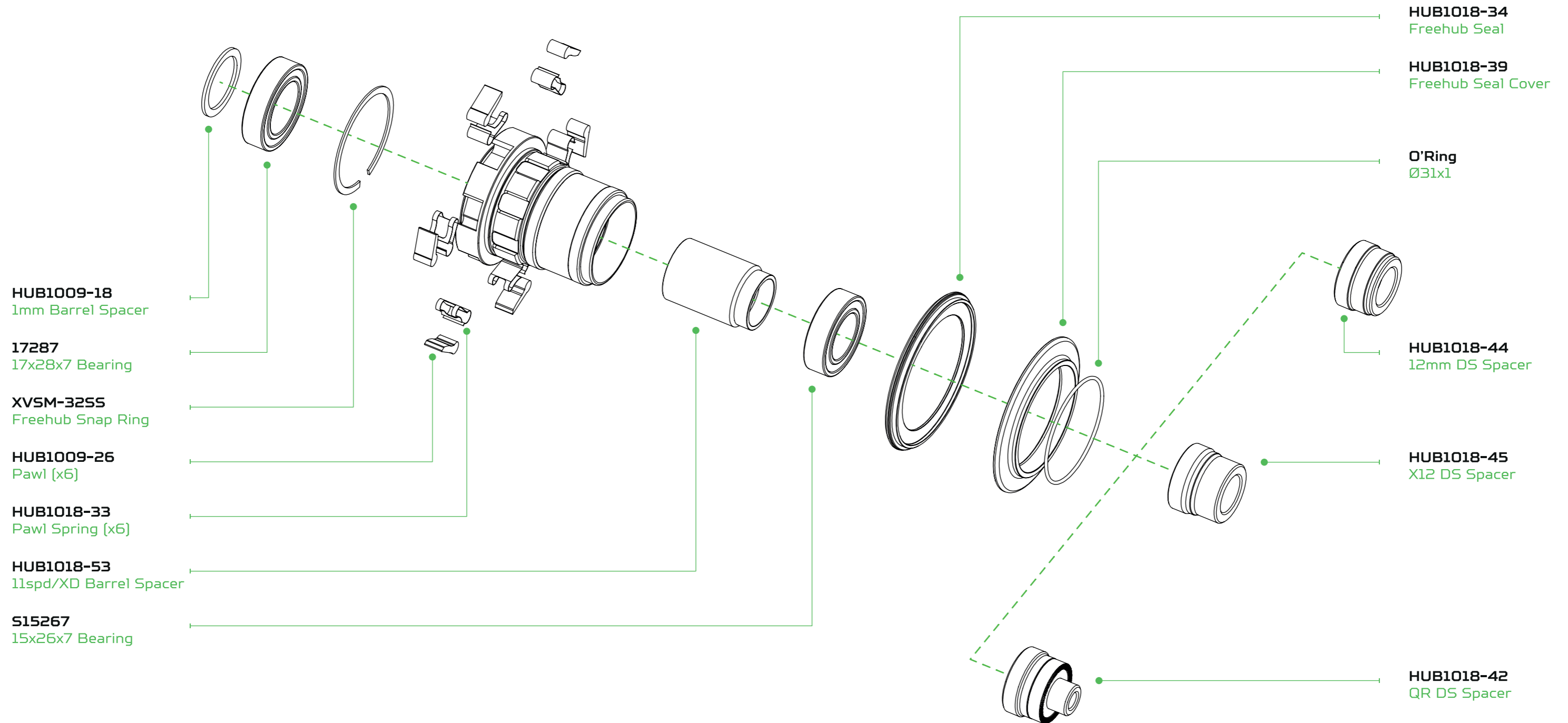


PRO5 FREEHUB ASSEMBLY XD/XDR_108

PRO5



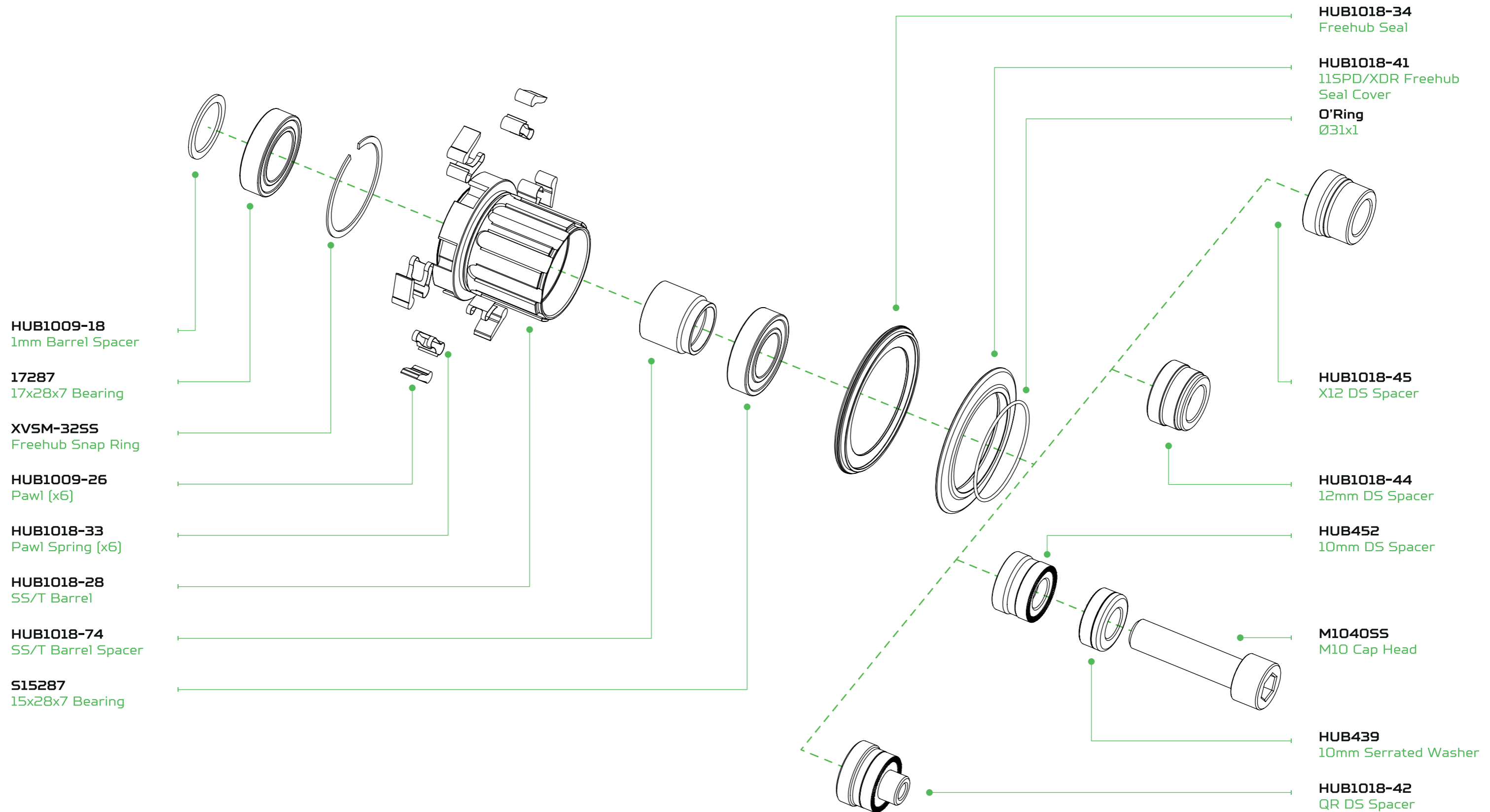
REF: HUB552 FOR XD
REF: HUB555 FOR XDR





PRO5 FREEHUB ASSEMBLY SINGLE SPEED/TRIALS

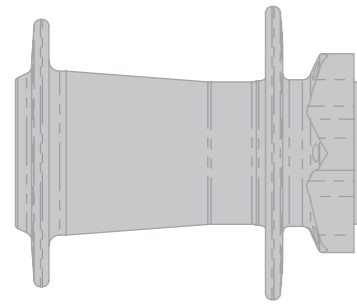
PRO5





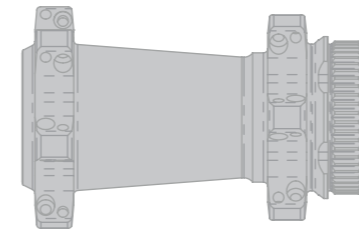
PRO5 HUB RANGE

PRO5



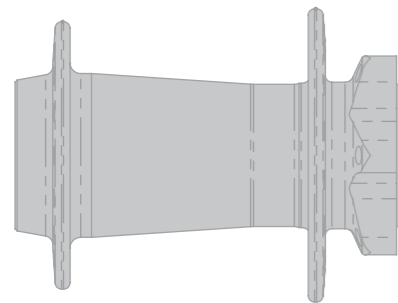
79.50mm

| FRONT_100mm_6_BOLT | | |
|--|----------------|--|
| SPACERS | HOLE DRILLNG | COLOUR |
| 100 x 12, 100 x 15, 110 x 20, 100 x QR | 24, 28, 32, 36 | Red, Orange, Black, Silver, Purple, Blue |



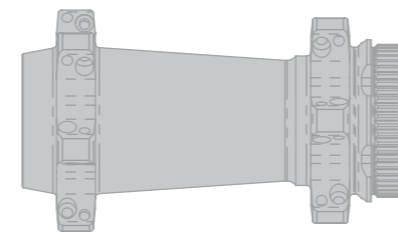
81.30mm

| FRONT_100mm_CENTRE_LOCK_STRAIGHT_PULL | | |
|---------------------------------------|--------------|--|
| SPACERS | HOLE DRILLNG | COLOUR |
| 100 x 12, 100 x 15, 100 x QR | 24 | Red, Orange, Black, Silver, Purple, Blue |



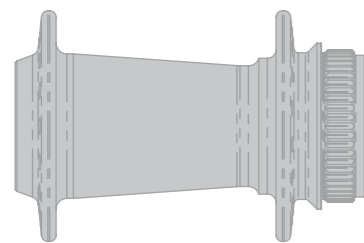
89.50mm

| FRONT_110mm_6_BOLT | | |
|---|----------------|--|
| SPACERS | HOLE DRILLNG | COLOUR |
| 110 x 12, 110 x 15, 110 x 20, 110 x 15 TORQUE | 24, 28, 32, 36 | Red, Orange, Black, Silver, Purple, Blue |



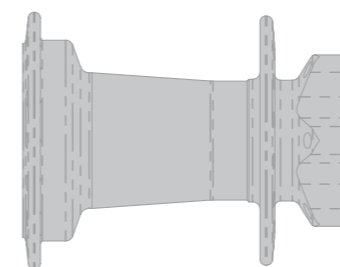
91.30mm

| FRONT_110mm_CENTRE_LOCK_STRAIGHT_PULL | | |
|---------------------------------------|--------------|--|
| SPACERS | HOLE DRILLNG | COLOUR |
| 110 x 12, 110 x 15 | 24 | Red, Orange, Black, Silver, Purple, Blue |



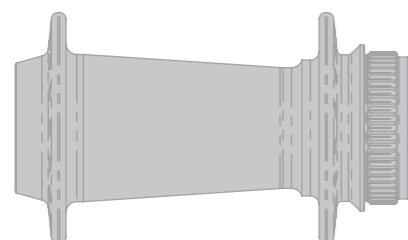
81.30mm

| FRONT_100_CENTRE_LOCK | | |
|------------------------------|----------------|--|
| SPACERS | HOLE DRILLNG | COLOUR |
| 100 x 12, 100 x 15, 100 x QR | 24, 28, 32, 36 | Red, Orange, Black, Silver, Purple, Blue |



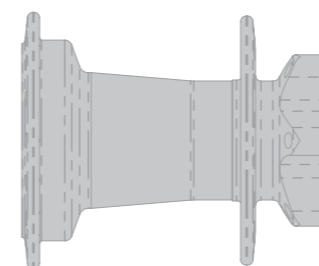
88.85mm

| REAR_SINGLE_SPEED_TRIALS | | | |
|--------------------------------------|---------|--------------|--|
| SPACERS | FREEHUB | HOLE DRILLNG | COLOUR |
| 135 x 10 BOLT IN, 135 x 12, 142 x 12 | TRIALS | 32, 36 | Red, Orange, Black, Silver, Purple, Blue |



91.30mm

| FRONT_110_CENTRE_LOCK | | |
|------------------------------|----------------|--|
| SPACERS | HOLE DRILLNG | COLOUR |
| 100 x 12, 100 x 15, 100 x QR | 24, 28, 32, 36 | Red, Orange, Black, Silver, Purple, Blue |



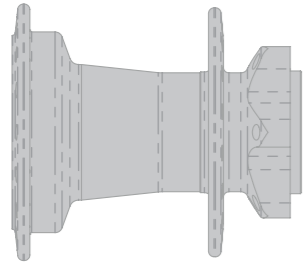
83.85mm

| REAR_148mm_6_BOLT_E_BIKE_SPECIFIC | | | |
|-----------------------------------|------------------------------|--------------|--|
| SPACERS | FREEHUB | HOLE DRILLNG | COLOUR |
| 148 x 12 | HG_STEEL, XD_STEEL, MS_STEEL | 32 | Red, Orange, Black, Silver, Purple, Blue |



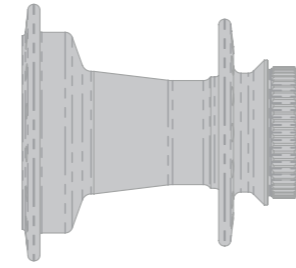
PRO5 HUB RANGE

PRO5



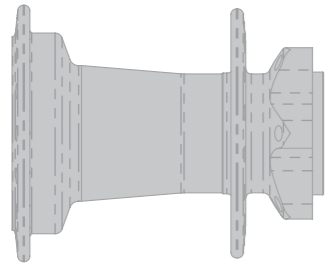
77.85mm

| REAR_135mm_6_BOLT | | | |
|--------------------------------|--|----------------|---|
| SPACERS | FREEHUB | HOLE DRILLNG | COLOUR |
| 135 x 12, 142 x 12 135 x QR | HG, XD, XDR, CAMPAG, MS, HG_STEEL (54) | 24, 28, 32, 36 | Red, Orange, Black, Silver, Purple, Blue |



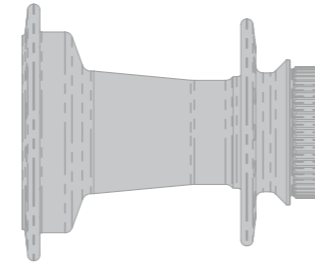
76.50mm

| REAR_135mm_CENTRE_LOCK | | | |
|--------------------------------|--|----------------|---|
| SPACERS | FREEHUB | HOLE DRILLNG | COLOUR |
| 135 x 12, 142 x 12 135 x QR | HG, XD, XDR, CAMPAG, MS, HG_STEEL (54) | 24, 28, 32, 36 | Red, Orange, Black, Silver, Purple, Blue |



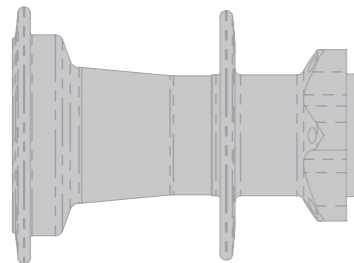
83.85mm

| REAR_148mm_6_BOLT | | | |
|-------------------|--|----------------|---|
| SPACERS | FREEHUB | HOLE DRILLNG | COLOUR |
| 148 x 12 | HG, XD, XDR, CAMPAG, MS, HG_STEEL (54) | 24, 28, 32, 36 | Red, Orange, Black, Silver, Purple, Blue |



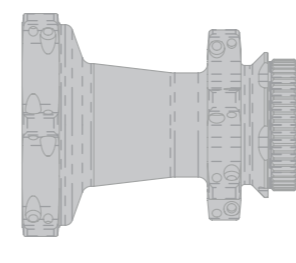
82.50mm

| REAR_148mm_CENTRE_LOCK | | | |
|------------------------|--|----------------|---|
| SPACERS | FREEHUB | HOLE DRILLNG | COLOUR |
| 148 x 12 | HG, XD, XDR, CAMPAG, MS, HG_STEEL (54) | 24, 28, 32, 36 | Red, Orange, Black, Silver, Purple, Blue |



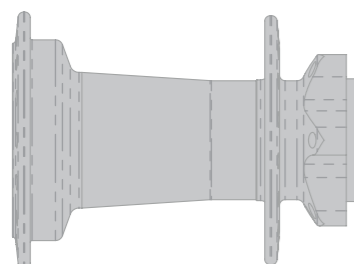
92.85mm

| REAR_150mm_6_BOLT | | | |
|--------------------|------------------------------|--------------|---|
| SPACERS | FREEHUB | HOLE DRILLNG | COLOUR |
| 150 x 12, 157 x 12 | HG, XD, MS, HG_STEEL (54) | 32, 36 | Red, Orange, Black, Silver, Purple, Blue |



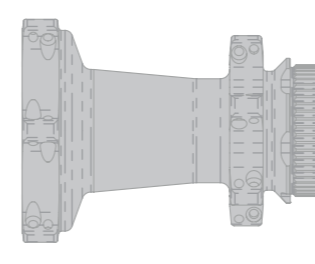
76.50mm

| REAR_135mm_CENTRE_LOCK_STRAIGHT_PULL | | | |
|--------------------------------------|--|--------------|---|
| SPACERS | FREEHUB | HOLE DRILLNG | COLOUR |
| 135 x 12, 142 x 12 135 x QR | HG, XD, XDR, CAMPAG, MS, HG_STEEL (54) | 24 | Red, Orange, Black, Silver, Purple, Blue |



92.85mm

| REAR_157mm_SUPER_BOOST_6_BOLT | | | |
|-------------------------------|------------------------------|--------------|---|
| SPACERS | FREEHUB | HOLE DRILLNG | COLOUR |
| 157 x 12 | HG, XD, MS, HG_STEEL (54) | 28, 32 | Red, Orange, Black, Silver, Purple, Blue |



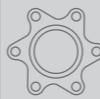



82.50mm

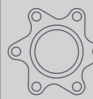


| REAR_148mm_CENTRE_LOCK_STRAIGHT_PULL | | | |
|--------------------------------------|--|--------------|---|
| SPACERS | FREEHUB | HOLE DRILLNG | COLOUR |
| 148 x 12 | HG, XD, XDR, CAMPAG, MS, HG_STEEL (54) | 24 | Red, Orange, Black, Silver, Purple, Blue |

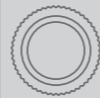





PRO5 HUB CONVERSIONS



| FRONT_HUB_SHELL | | FRONT_SIX_BOLT | |  |
|---|---|----------------|---|---|
| 100 | 110 | Part No. | Conversion Kit | |
| 100 x QR |  | HUB419 | Pro 5 6B Front Conversion - QR | |
| 100 x 12mm | 110 x 12mm | HUB482 | Pro 5 6B Front Conversion - 12mm | |
| 100 x 15mm | 110 x 15mm | HUB441 | Pro 5 6B Front Conversion - 15mm | |
| 100 x 15mm | 110 x 15mm | HUB485 | Pro 5 6B Front Conversion - 15mm TORQUE | |
| 110 x 20mm |  | HUB420 | Pro 5 6B Front Conversion - 20mm | |
|  | 110 x 20mm | HUB494 | Pro 5 6B Front Conversion - 20mm BOOST | |

| REAR_HUB_SHELL | | | REAR_SIX_BOLT | |  |
|----------------|---|---|---------------|---------------------------------|---|
| 135 | 148 | 150/157 | Part No. | Conversion Kit | |
| 135 x QR | 148 x QR |  | HUB257 | Pro 5 6B Rear Conversion - QR | |
| 135 x 12mm |  | 150 x 12mm | HUB258 | Pro 5 6B Rear Conversion - 12mm | |
| 142 x 12mm | 148 x 12mm | 157 x 12mm | HUB259 | Pro 5 6B Rear Conversion - X12 | |


| FRONT_HUB_SHELL | | FRONT_CENTRE_LOCK | |  |
|-----------------|---|-------------------|----------------------------------|---|
| 100 | 110 | Part No. | Conversion Kit | |
| 100 x QR |  | HUB487 | Pro 5 CL Front Conversion - QR | |
| 100 x 12mm | 110 x 12mm | HUB488 | Pro 5 CL Front Conversion - 12mm | |
| 100 x 15mm | 110 x 15mm | HUB489 | Pro 5 CL Front Conversion - 15mm | |

| REAR_HUB_SHELL | | REAR_CENTRE_LOCK | |  |
|----------------|---|------------------|---------------------------------|---|
| 135 | 148 | Part No. | Conversion Kit | |
| 135 x QR | 148 x QR | HUB260 | Pro 5 CL Rear Conversion - QR | |
| 135 x 12mm |  | HUB261 | Pro 5 CL Rear Conversion - 12mm | |
| 142 x 12mm | 148 x 12mm | HUB262 | Pro 5 CL Rear Conversion - X12 | |

PRO5_HUB_CONVERSION_TABLES

Hope hubs can easily be converted to fit different frames and forks.

Use this table to find your hub and the available conversion kits.

| TRIALS_HUB_SHELL | REAR_SINGLE_SPEED/TRIALS | |  |
|------------------|--------------------------|-----------------------------------|---|
| TRIALS | Part No. | Conversion Kit | |
| 135 x QR | HUB263 | Pro 5 SS/T Rear Conversion - QR | |
| 135 x 12mm | HUB264 | Pro 5 SS/T Rear Conversion - 12mm | |
| 142 x 12mm | HUB265 | Pro 5 SS/T Rear Conversion - X12 | |



| HUB | DISC SIDE | | NON DISC SIDE | |
|-----------------------------------|-----------|---------------------------------------|---------------|--|
| | Part No. | | Part No. | |
| Pro 5 6B Front (all shell widths) | HTT194 | Pro 5 Front Bearing Press Tool | HTT194 | Pro 5 Front Bearing Press Tool |
| Pro 5 CL Front (all shell widths) | HTT194 | Pro 5 Front Bearing Press Tool** | HTT194 | Pro 5 Front Bearing Press Tool** |
| Pro 5 6B Rear (all shell widths) | HTT196 | Pro 5 Rear Bearing Press Tool Short | HTT195 | Pro 5 Rear Bearing Press Tool Long |
| Pro 5 CL Rear (all shell widths) | HTT196 | Pro 5 Rear Bearing Press Tool Short** | HTT195 | Pro 5 Rear Bearing Press Tool Long** |
| HG Freehub | HTT197 | Pro 5 Freehub Bearing Press Tool Long | HTT199 | Pro 5 Freehub Bearing Press Tool Short 11spd |
| XD Freehub | HTT197 | Pro 5 Freehub Bearing Press Tool Long | HTT198 | Pro 5 Freehub Bearing Press Tool Short MS/XD |
| MS Freehub | HTT197 | Pro 5 Freehub Bearing Press Tool Long | HTT198 | Pro 5 Freehub Bearing Press Tool Short MS/XD |

*All tools included in Pro 5 Tool Kit HTTPRO5

**Tool used on small end for CL hubs