



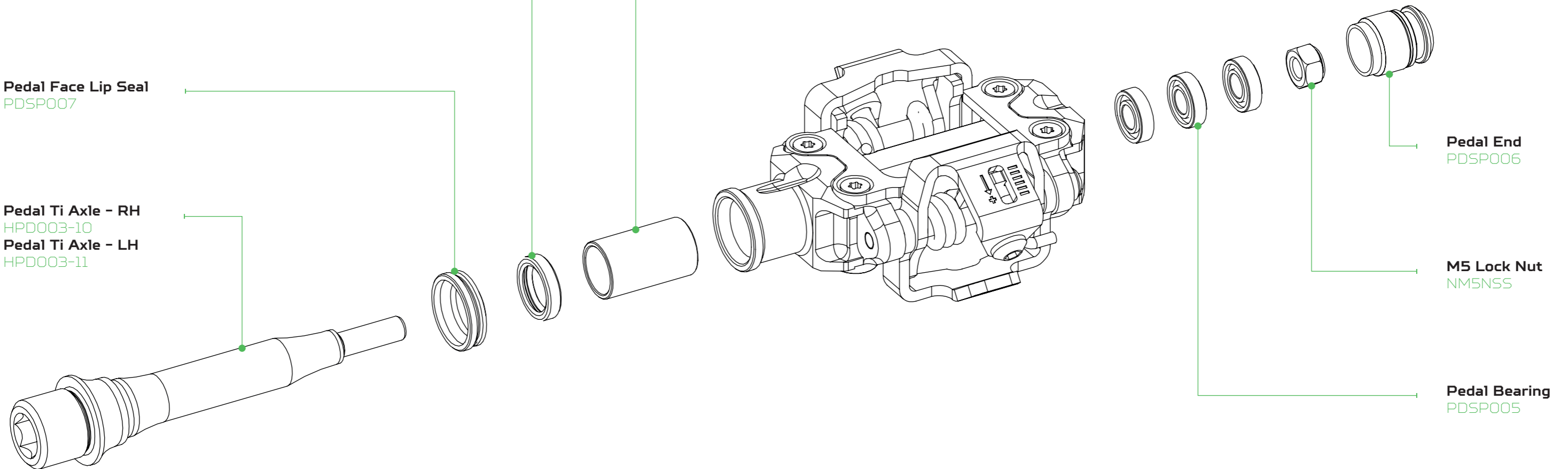
UNION_RC PEDAL_ASSEMBLY

Pedal Plain Bush
PDSP004

Pedal Double Lip Seal
HPD003-7

Pedal Face Lip Seal
PDSP007

Pedal Ti Axle - RH
HPD003-10
Pedal Ti Axle - LH
HPD003-11



Pedal End
PDSP006

M5 Lock Nut
NM5N55

Pedal Bearing
PDSP005

CLIP MECHANISM PARTS ARE **NOT USER SERVICEABLE** SO ARE NOT AVAILABLE SEPARATELY.
ALL PARTS ARE **FACTORY SERVICEABLE IF RETURNED** TO OUR SERVICE DEPARTMENT.