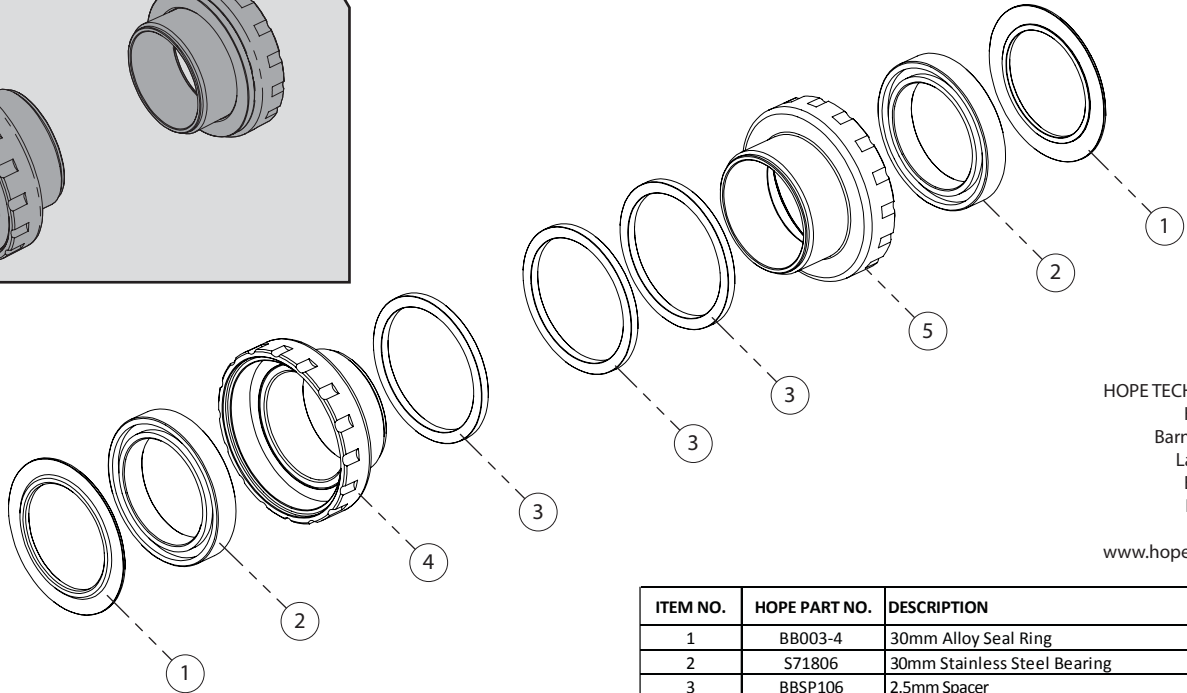
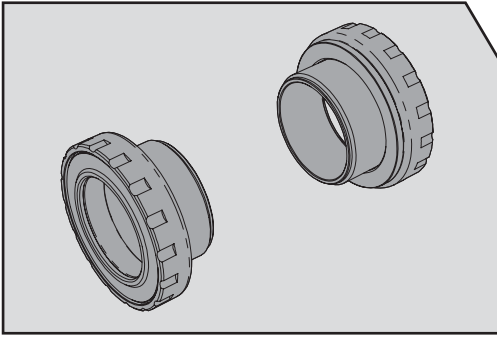




BBSS30N - 30mm BOTTOM BRACKET - STAINLESS STEEL



HOPE TECHNOLOGY  
Hope Mill,  
Barnoldswick,  
Lancashire,  
ENGLAND  
BB18 5PX

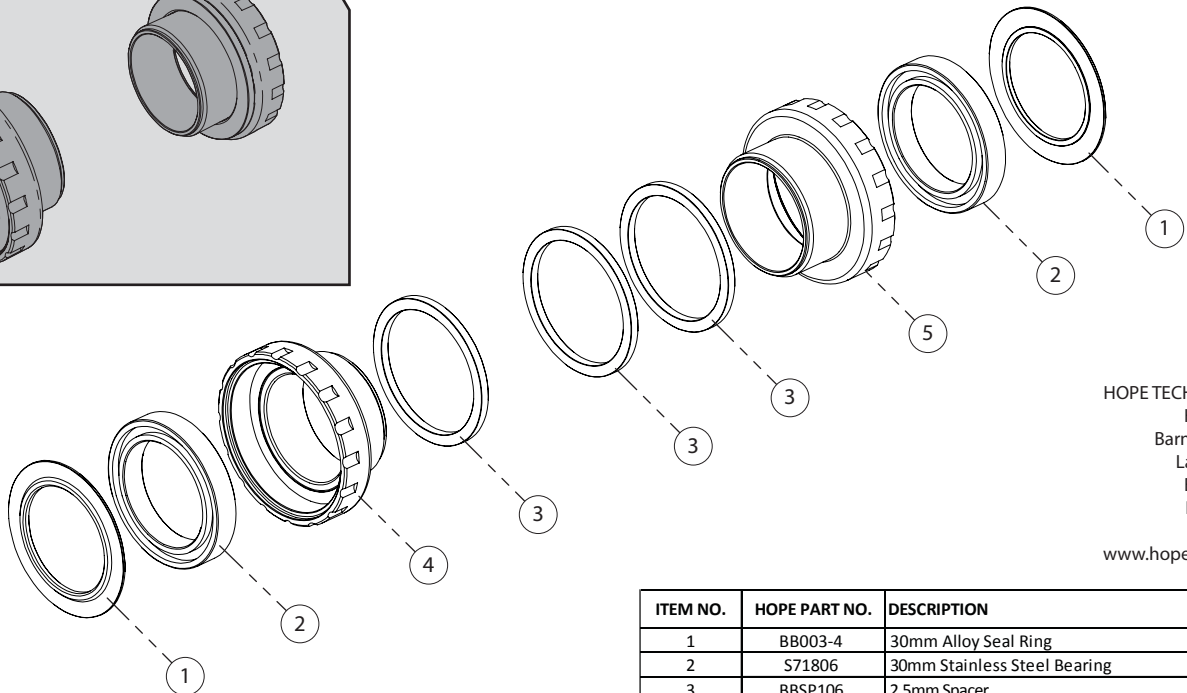
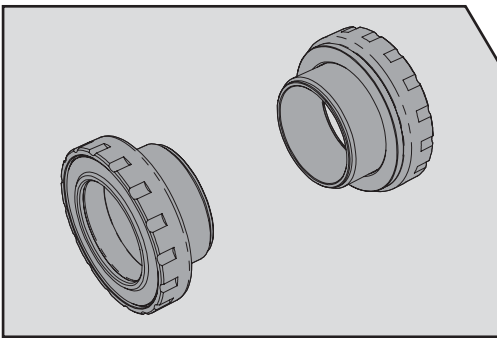
[www.hopetech.com](http://www.hopetech.com)

ITEM NO.	HOPE PART NO.	DESCRIPTION	QTY
1	BB003-4	30mm Alloy Seal Ring	2
2	S71806	30mm Stainless Steel Bearing	2
3	BBSP106	2.5mm Spacer	3
4	BB003-1	30mm Threaded Non-Drive Side Cup	1
5	BB003-2	30mm Threaded Drive Side Cup	1

Issue 02 - 10/2015



BBSS30N - 30mm BOTTOM BRACKET - STAINLESS STEEL



HOPE TECHNOLOGY  
Hope Mill,  
Barnoldswick,  
Lancashire,  
ENGLAND  
BB18 5PX

[www.hopetech.com](http://www.hopetech.com)

ITEM NO.	HOPE PART NO.	DESCRIPTION	QTY
1	BB003-4	30mm Alloy Seal Ring	2
2	S71806	30mm Stainless Steel Bearing	2
3	BBSP106	2.5mm Spacer	3
4	BB003-1	30mm Threaded Non-Drive Side Cup	1
5	BB003-2	30mm Threaded Drive Side Cup	1

Issue 02 - 10/2015



**COMPATIBILITY:**

The Hope BBSS30N bottom bracket allows the use of a 30mm crankset within a BSA threaded BB shell of 68mm, 73mm or 83mm.

**1. FRAME PREPARATION:**

It is critical to bearing life that the frame is prepared correctly. Chase threads and face ends of BB shell to ensure they are clean and square.

**2. INSTALL BB CUPS:**

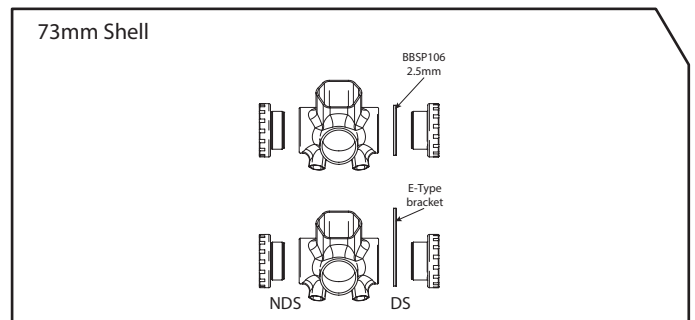
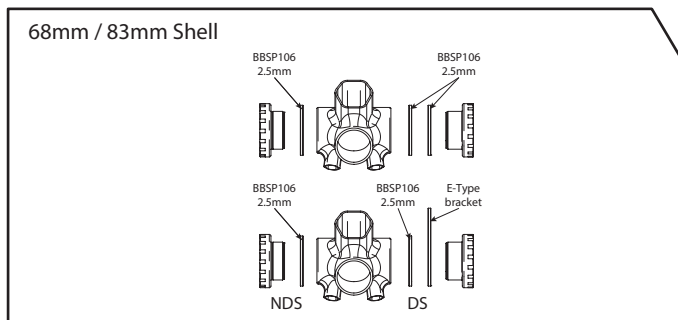
Determine spacers required (see below). Apply copious amounts of grease to the BB cups and the frame BB shell. Thread Drive-Side BB cup and appropriate spacers anti-clockwise into RH side of frame using correct spanner and tighten to 40-50Nm against the BB shell face.

Thread Non-Drive BB cup and appropriate spacers (if required) clockwise into LH side of frame and tighten to 40-50Nm against the BB shell face.

**3. INSTALL CRANKS:**

Follow manufacturer's instructions.

Note: Hope BB's allow cranks to fit directly in the bearing inner race, not through a plastic bush.



**COMPATIBILITY:**

The Hope BBSS30N bottom bracket allows the use of a 30mm crankset within a BSA threaded BB shell of 68mm, 73mm or 83mm.

**1. FRAME PREPARATION:**

It is critical to bearing life that the frame is prepared correctly. Chase threads and face ends of BB shell to ensure they are clean and square.

**2. INSTALL BB CUPS:**

Determine spacers required (see below). Apply copious amounts of grease to the BB cups and the frame BB shell. Thread Drive-Side BB cup and appropriate spacers anti-clockwise into RH side of frame using correct spanner and tighten to 40-50Nm against the BB shell face.

Thread Non-Drive BB cup and appropriate spacers (if required) clockwise into LH side of frame and tighten to 40-50Nm against the BB shell face.

**3. INSTALL CRANKS:**

Follow manufacturer's instructions.

Note: Hope BB's allow cranks to fit directly in the bearing inner race, not through a plastic bush.

