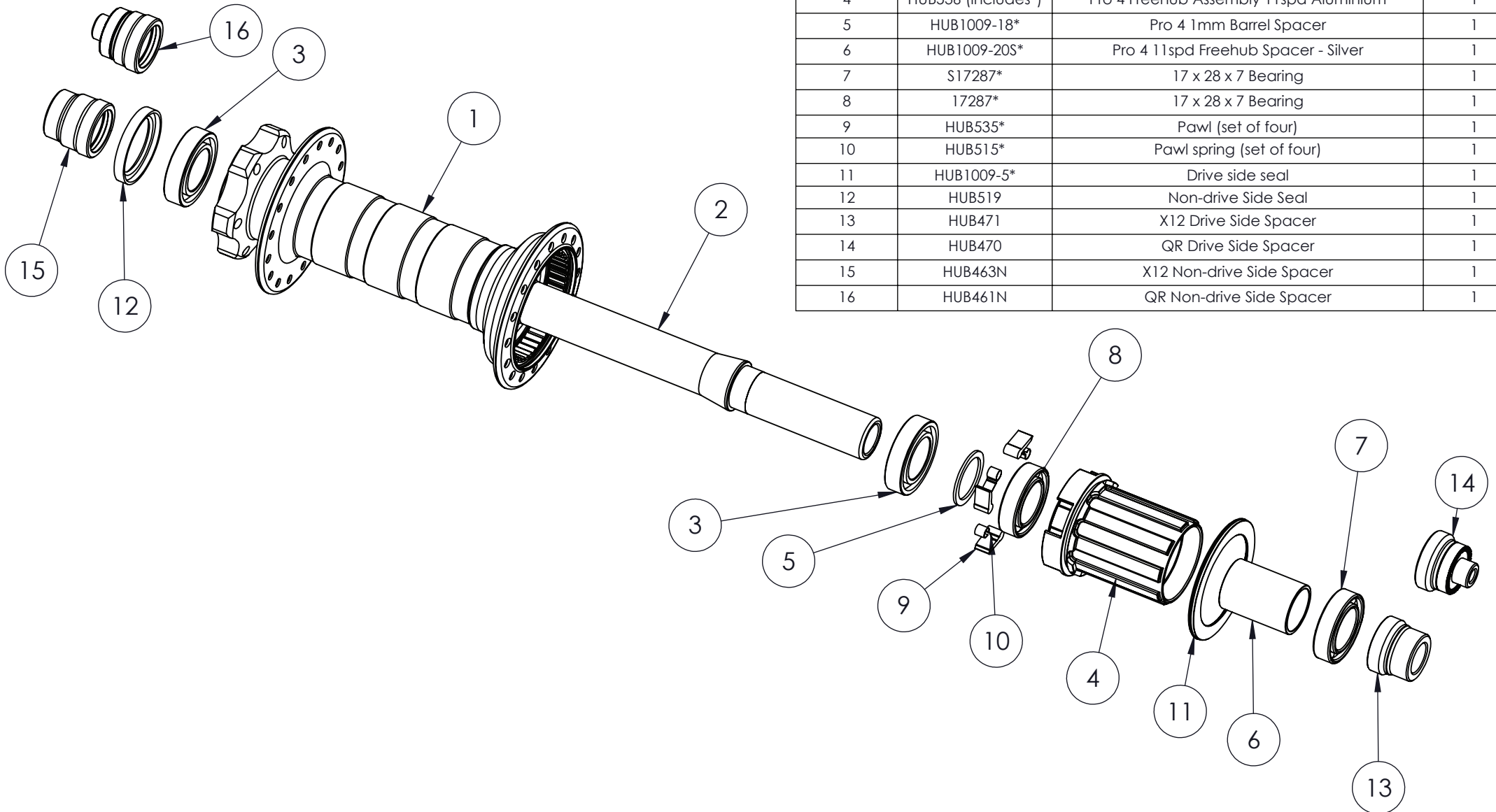


HOPE TECHNOLOGY PRO 4 190 REAR HUB ASSEMBLY



ITEM No.	PART No.	DESCRIPTION	QTY.
1	HUB1009-24-32	Pro 4 Rear Hub Body 190mm 32H	1
2	HUB1006-10S	FATSNO 170mm Rear disc axle - Silver	1
3	S6903	Stainless Steel Bearing - S6903 2RS	2
4	HUB536 (includes*)	Pro 4 Freehub Assembly 11spd Aluminium	1
5	HUB1009-18*	Pro 4 1mm Barrel Spacer	1
6	HUB1009-20S*	Pro 4 11spd Freehub Spacer - Silver	1
7	S17287*	17 x 28 x 7 Bearing	1
8	17287*	17 x 28 x 7 Bearing	1
9	HUB535*	Pawl (set of four)	1
10	HUB515*	Pawl spring (set of four)	1
11	HUB1009-5*	Drive side seal	1
12	HUB519	Non-drive Side Seal	1
13	HUB471	X12 Drive Side Spacer	1
14	HUB470	QR Drive Side Spacer	1
15	HUB463N	X12 Non-drive Side Spacer	1
16	HUB461N	QR Non-drive Side Spacer	1