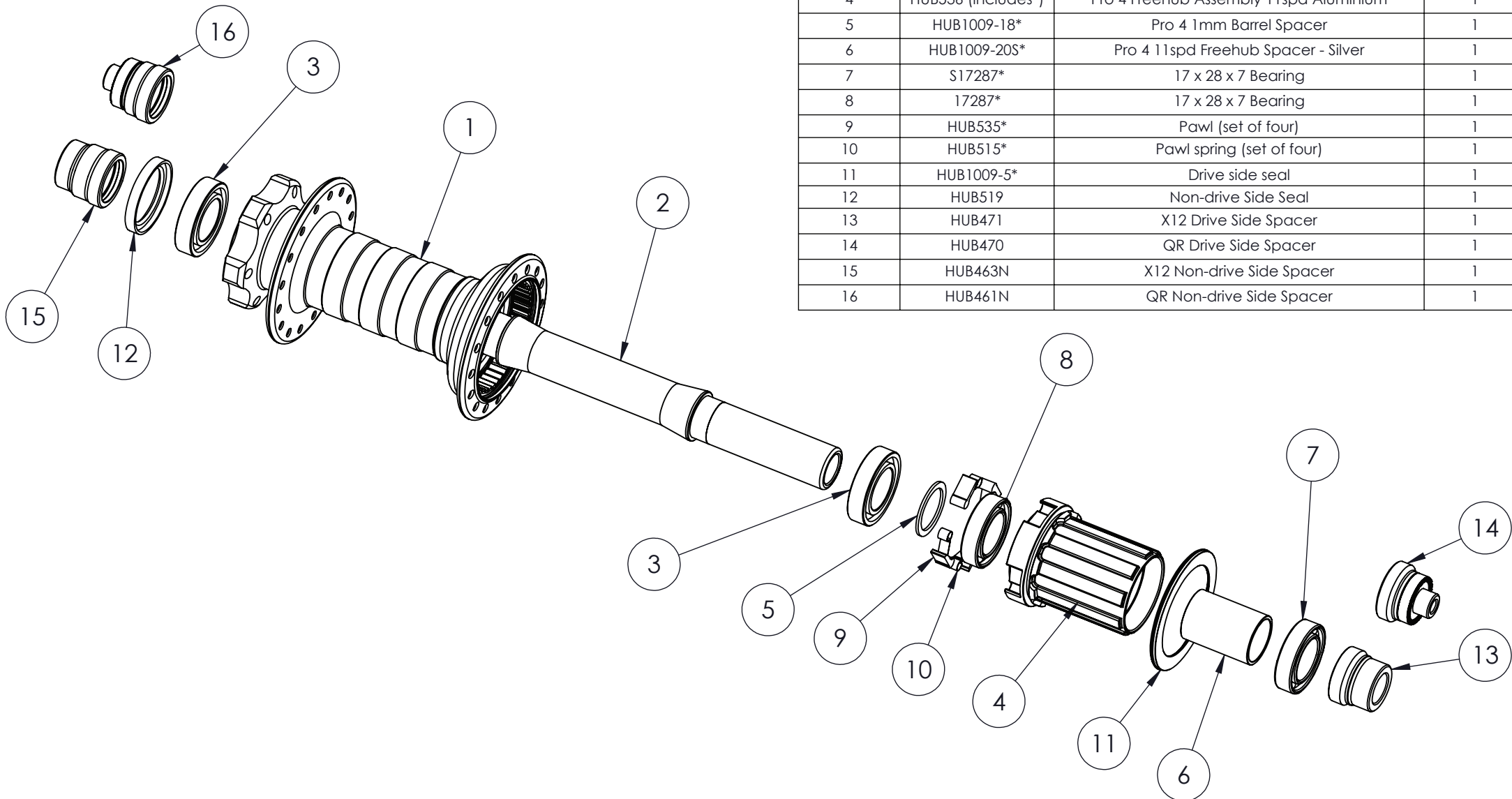


HOPE TECHNOLOGY PRO 4 170 REAR HUB ASSEMBLY



| ITEM No. | PART No. | DESCRIPTION | QTY. |
|----------|--------------------|--|------|
| 1 | HUB1009-25-32 | Pro 4 Rear Hub Body 170mm 32H | 1 |
| 2 | HUB1006-4S | FATSNO 170mm Rear disc axle - Silver | 1 |
| 3 | S6903 | Stainless Steel Bearing - S6903 2RS | 2 |
| 4 | HUB536 (includes*) | Pro 4 Freehub Assembly 11spd Aluminium | 1 |
| 5 | HUB1009-18* | Pro 4 1mm Barrel Spacer | 1 |
| 6 | HUB1009-20S* | Pro 4 11spd Freehub Spacer - Silver | 1 |
| 7 | S17287* | 17 x 28 x 7 Bearing | 1 |
| 8 | 17287* | 17 x 28 x 7 Bearing | 1 |
| 9 | HUB535* | Pawl (set of four) | 1 |
| 10 | HUB515* | Pawl spring (set of four) | 1 |
| 11 | HUB1009-5* | Drive side seal | 1 |
| 12 | HUB519 | Non-drive Side Seal | 1 |
| 13 | HUB471 | X12 Drive Side Spacer | 1 |
| 14 | HUB470 | QR Drive Side Spacer | 1 |
| 15 | HUB463N | X12 Non-drive Side Spacer | 1 |
| 16 | HUB461N | QR Non-drive Side Spacer | 1 |