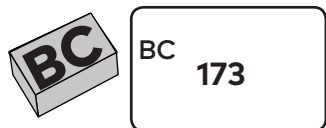


TESLA MODEL 3 4DR 2018-2019

Weight Limit: 75 kg

Front Crossbar



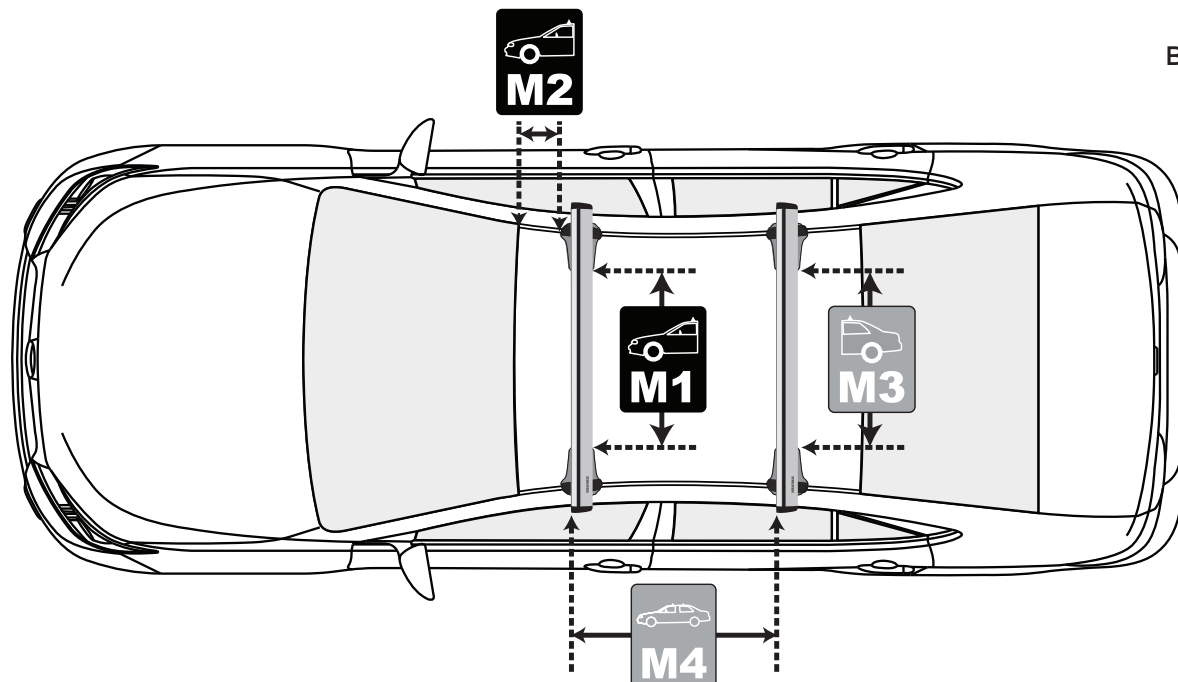
BaseClip



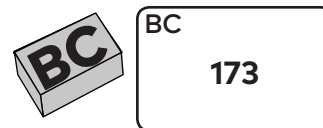
Inner edge of driver's side tower to inner edge of passenger's side tower



Corner of painted roof (or corner of glass on panoramic roofs) to leading edge of front tower



Rear Crossbar



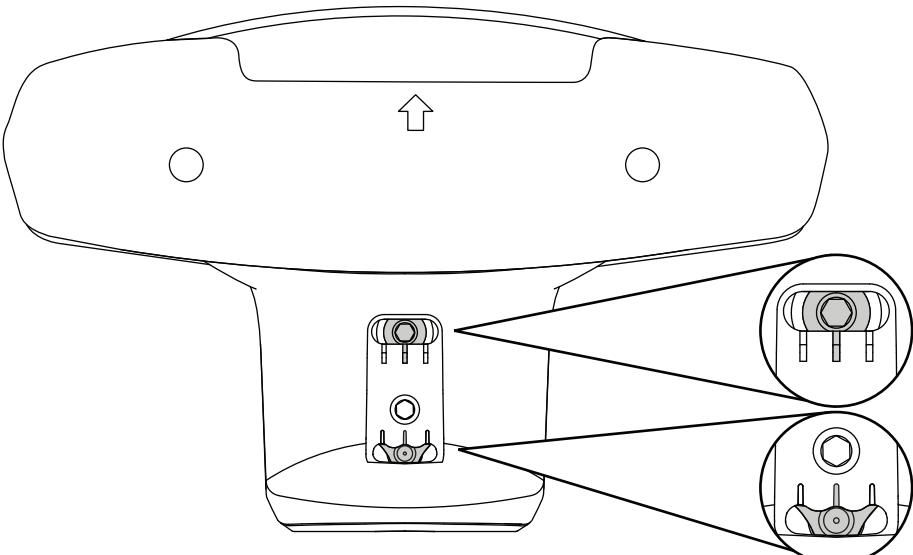
BaseClip



Inner edge of driver's side tower to inner edge of passenger's side tower



Crossbar Spread. Leading edge of front crossbar to leading edge of rear crossbar



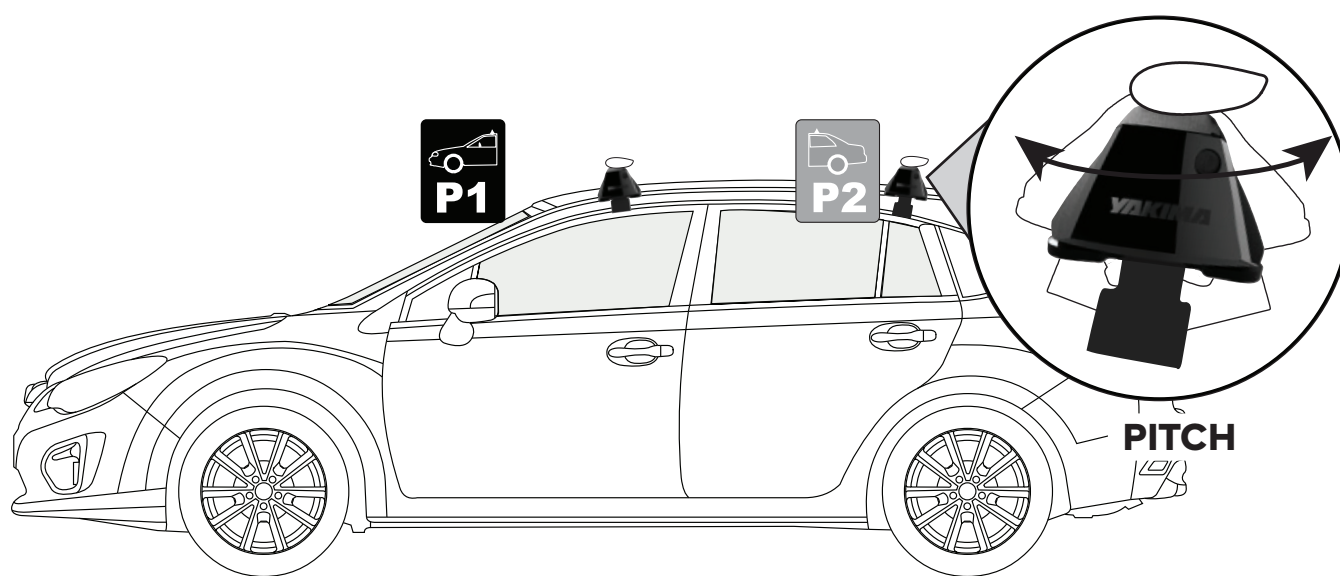
See back to set Pitch and Toe

PITCH

TOE



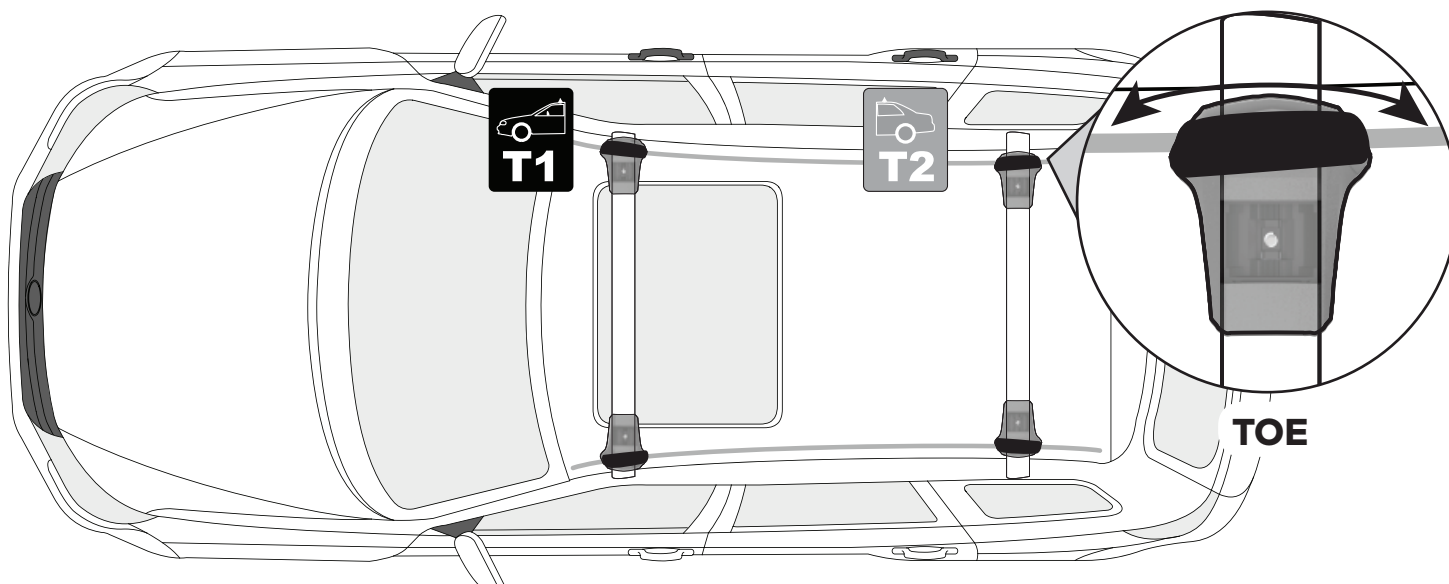
Pitch setting can be found in the BaseClip Instructions. RoundBar Pitch will always be set to B.



Pitch setting can be found in the BaseClip Instructions. RoundBar Pitch will always be set to B.

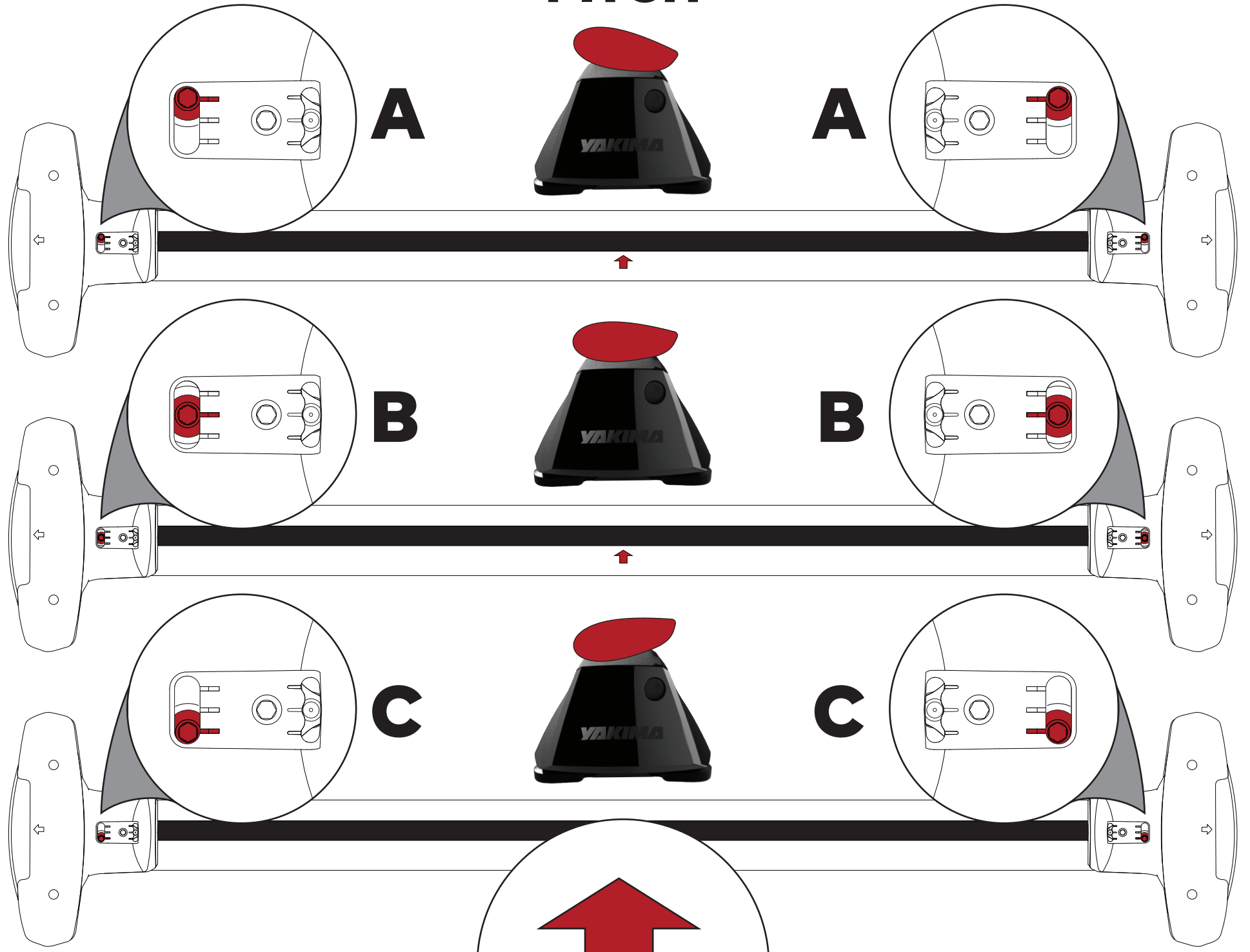


Toe setting can be found in the BaseClip Instructions.



Toe setting can be found in the BaseClip Instructions.

PITCH



IMPORTANT! Make sure the arrow on the bottom center of the crossbar faces away from you

TOE

