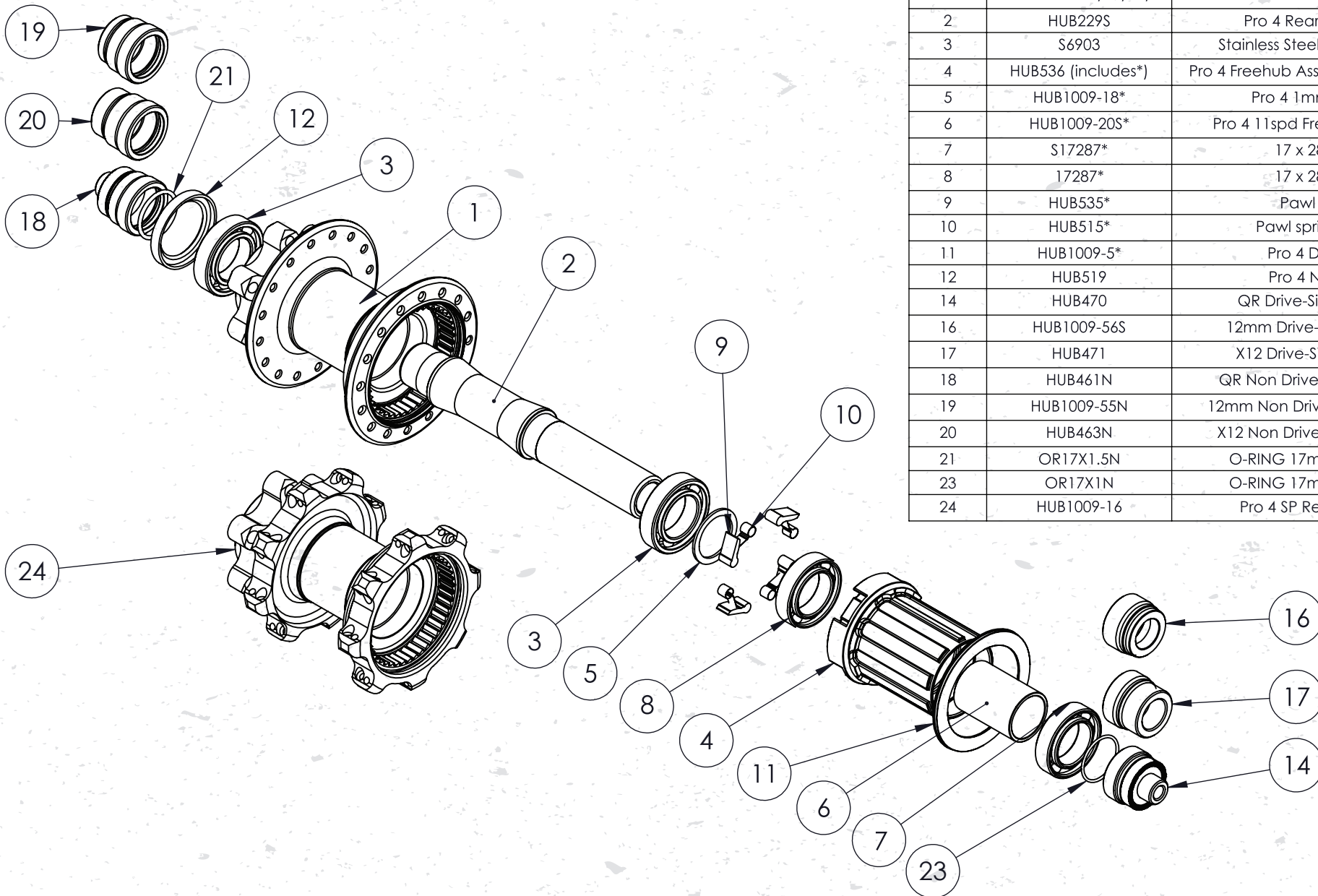
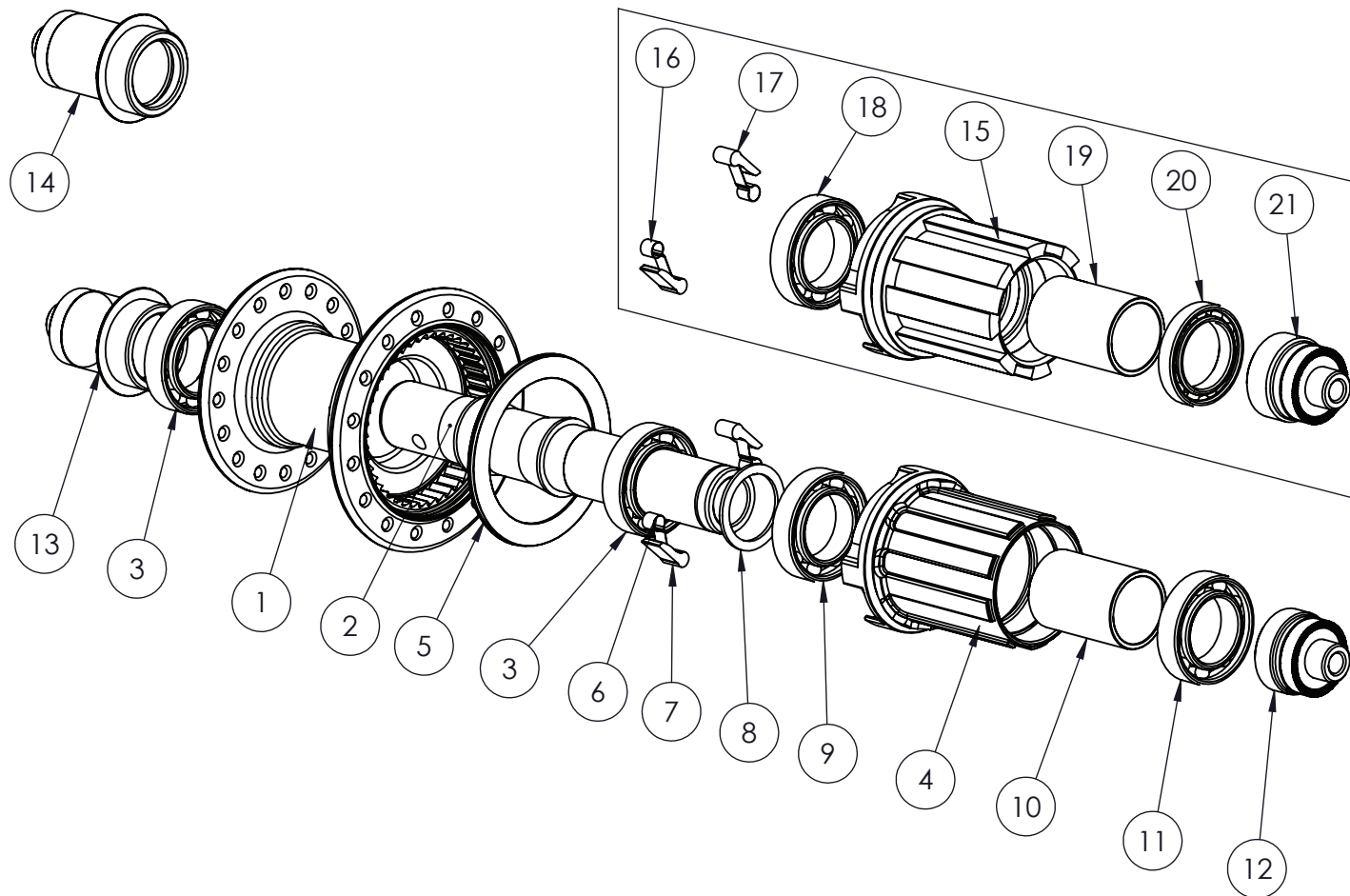


# HOPE TECHNOLOGY PRO 4 REAR HUB ASSEMBLY



ITEM No.	PART No.	DESCRIPTION	QTY.
1	HUB1009-15-24/28/32/36	Pro 4 Rear Hub Body 135 24/28/32/36H	1
2	HUB229S	Pro 4 Rear Disc Axle - Silver	1
3	S6903	Stainless Steel Bearing - S6903 2RS	2
4	HUB536 (includes*)	Pro 4 Freehub Assembly 11spd Aluminium	1
5	HUB1009-18*	Pro 4 1mm Barrel Spacer	1
6	HUB1009-20S*	Pro 4 11spd Freehub Spacer - Silver	1
7	S17287*	17 x 28 x 7 Bearing	1
8	17287*	17 x 28 x 7 Bearing	1
9	HUB535*	Pawl (set of four)	1
10	HUB515*	Pawl spring (set of four)	1
11	HUB1009-5*	Pro 4 Drive Side Seal	1
12	HUB519	Pro 4 Non-drive seal	1
14	HUB470	QR Drive-Side Spacer - Silver	1
16	HUB1009-56S	12mm Drive-Side Spacer - Silver	1
17	HUB471	X12 Drive-Side Spacer - Silver	1
18	HUB461N	QR Non Drive Side Spacer - Black	1
19	HUB1009-55N	12mm Non Drive Side Spacer - Black	1
20	HUB463N	X12 Non Drive Side Spacer - Black	1
21	OR17X1.5N	O-RING 17mm x 1.5mm NITRILE	1
23	OR17X1N	O-RING 17mm x 1.5mm NITRILE	1
24	HUB1009-16	Pro 4 SP Rear Hub Body 32H	1



ITEM No.	PART No.	DESCRIPTION	QTY.
1	HUB1009-31-20/24/28/32/36	Pro RS4 Rear Hub Body 20/24/28/32/36H	1
2	HUB227S	Rear Axle - Silver	1
3	S17287	17 x 28 x 7 Bearing	2
4	HUB542(includes*)	RS4 2 Pawl Freehub Assembly 11spd	1
5	HUB1009-5*	Pro 4 Drive Side Seal	1
6	HUB515*	Pawl Spring (set of four) - 2 Req.	1
7	HUB535*	Pawl (set of four) - 2 Req.	1
8	HUB1009-18*	Pro 4 1mm Barrel Spacer	1
9	17287*	17 x 28 x 7 Bearing	1
10	HUB1009-20S*	Pro 4 11spd Freehub Spacer - Silver	1
11	S17287*	17 x 28 x 7 Bearing	1
12	HUB470	QR Drive-Side Spacer - Silver	1
13	HUB431N	QR Non-drive Spacer 130mm - Black	1
14	HUB432N	QR Non-drive Spacer 135mm - Black	1
15	HUB543(includes**)	RS4 2 Pawl Freehub Assembly Campag	1
16	HUB515**	Pawl Spring (set of four) - 2 Req.	1
17	HUB535**	Pawl (set of four) - 2 Req.	1
18	17287**	17 x 28 x 7 Bearing	1
19	HUB1009-20S**	Pro 4 11spd Freehub Spacer - Silver	1
20	S6803**	Stainless Steel Bearing - S6803 2RS	1
21	HUB437S	QR Campag Drive-side Spacer - Silver	1

CAMPAGNOLO COMPONENTS